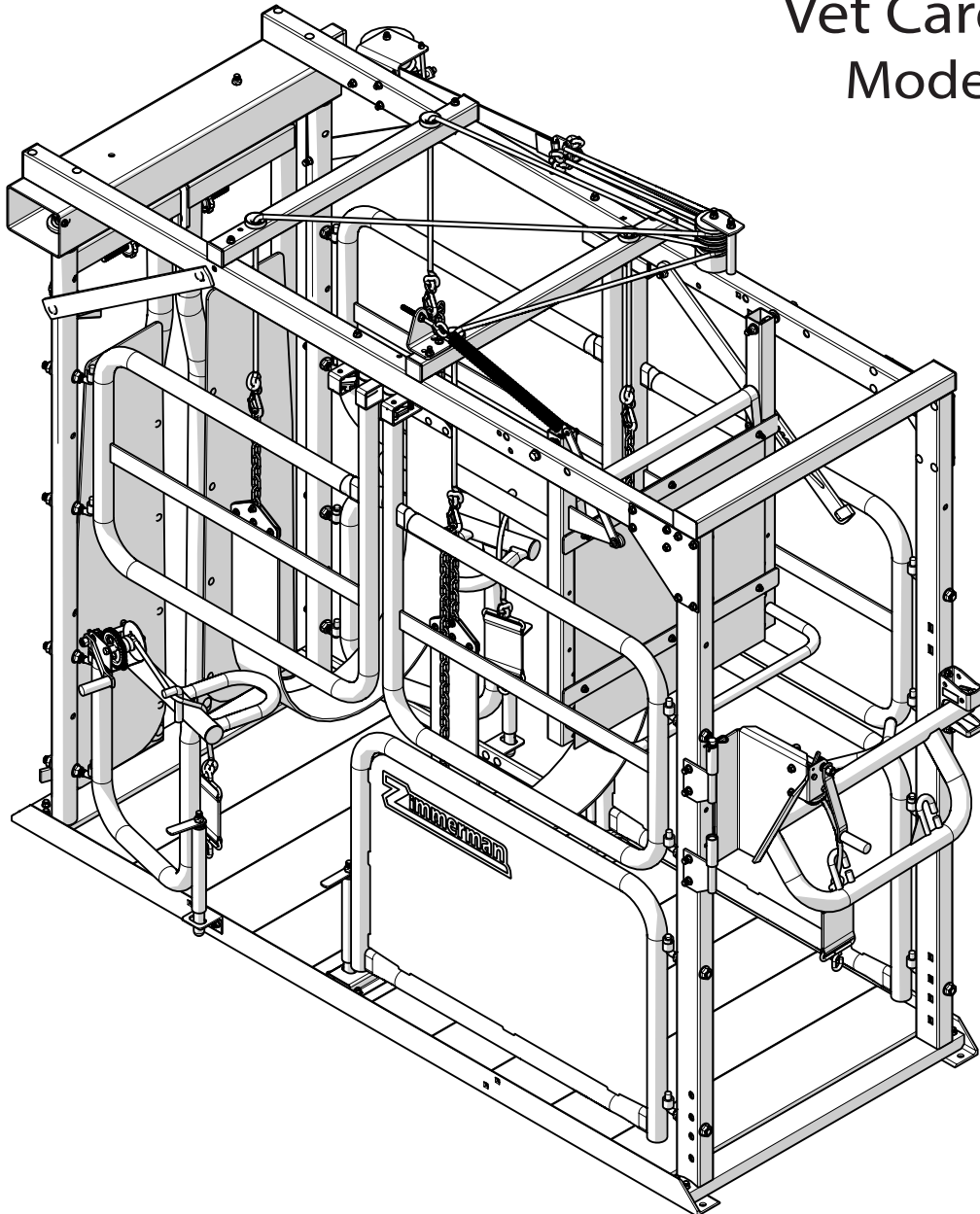


## Parts Catalog

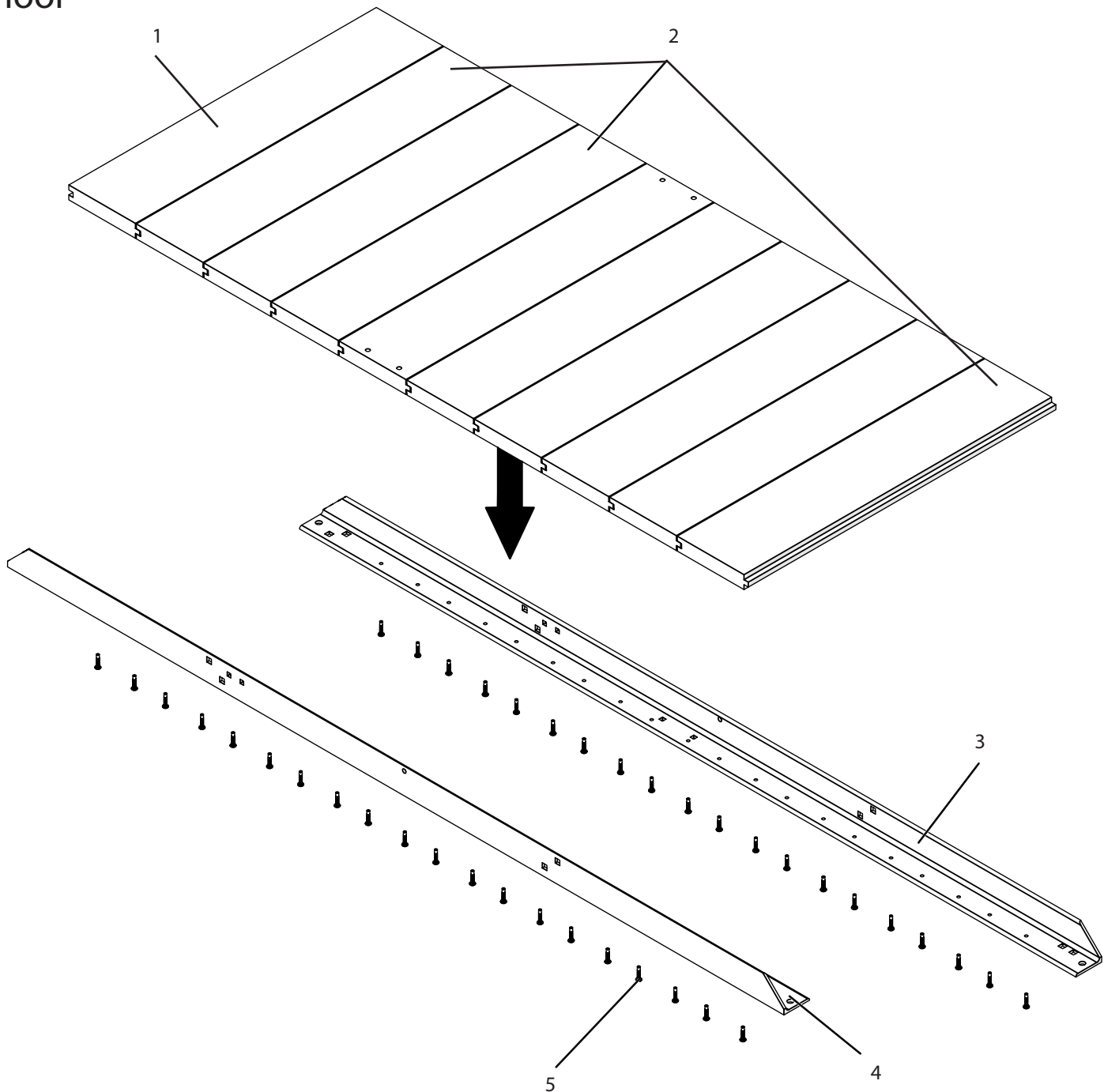
### Vet Care Chute Model HVC12



PBZ LLC | 295 Wood Corner Rd | Lititz PA 17543  
www.CropCareEquipment.com | (717) 738-7365  
A Paul B Zimmerman Inc. Company

# HVC12 Parts Breakdown

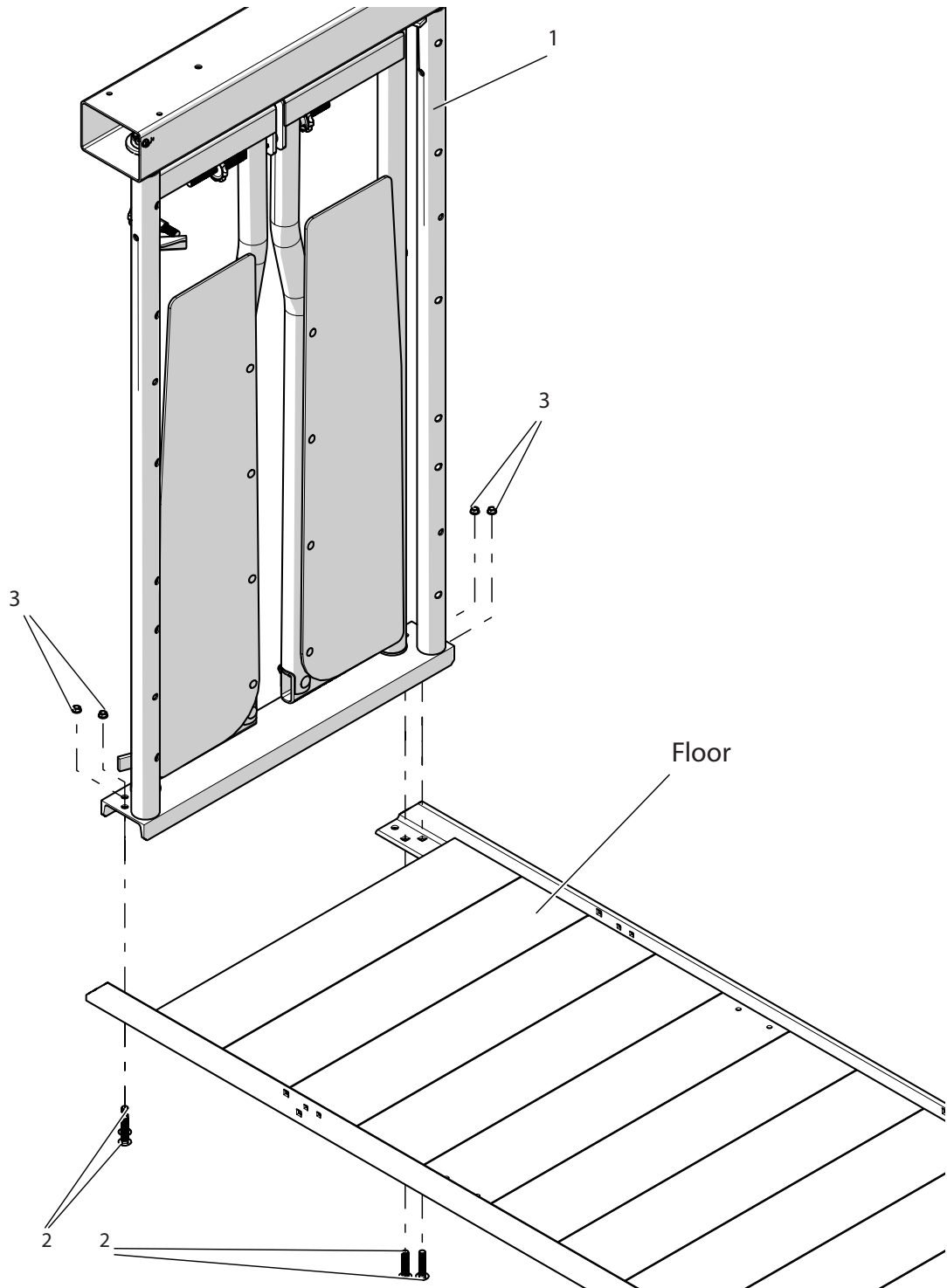
## Floor



Ref#	Qty.	Part Number	Description
1	2	R9102-36	Rumber Planking, 1 1/2" x 7"
2	12	R9502-36	Rumber Planking, 1 1/2" x 5 1/2"
3	1	HVC005	Lower angle, right, combination chute
4	1	HVC006	Lower angle, left, combination chute
5	56	PT14*114S	Screw, Pan Hd Tap 1/4" x 1-1/4" SS Phillips Drive

# HVC12 Parts Breakdown

## Headgate

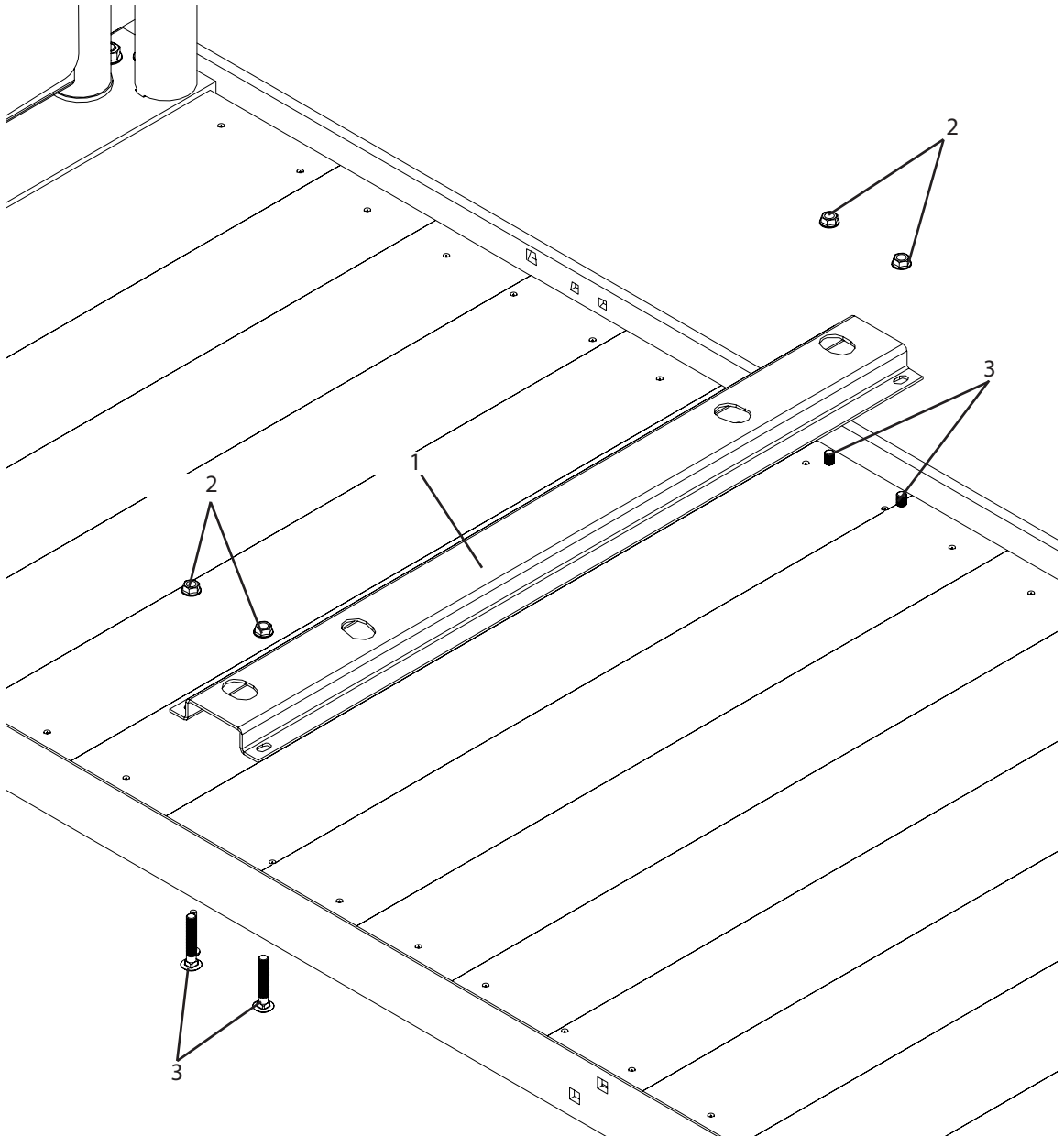


Ref#	Qty.	Part Number	Description
1	1	AHG2011 *	Headgate, Automatic
2	4	CB12*212G5	Bolt, Carriage 1/2-13 x 2-1/2" Gr 5
3	4	FN12	Nut, Flange 1/2-13

\* See component parts breakdown

# HVC12 Parts Breakdown

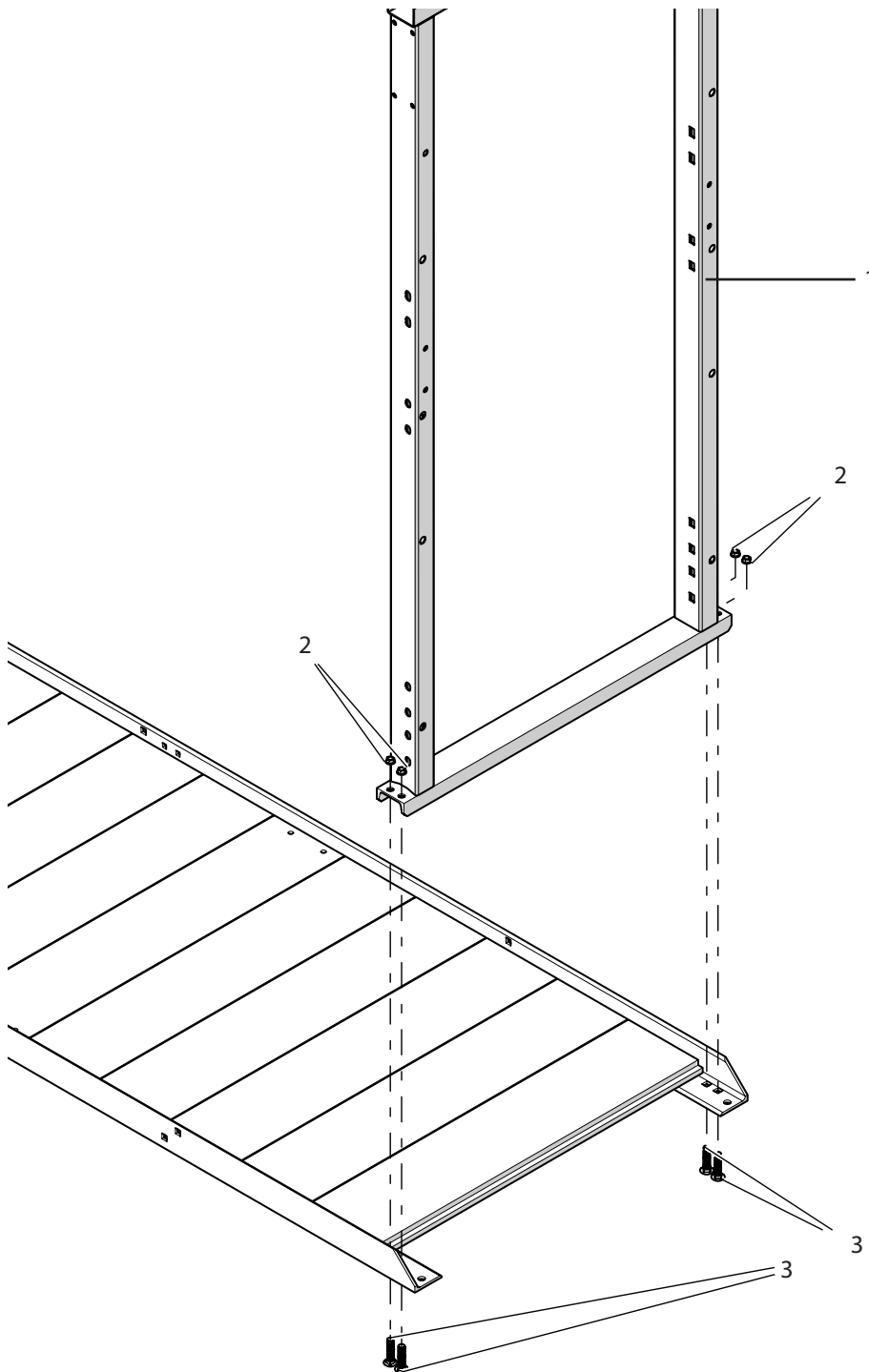
## Side Gate Latch Receiver



Ref#	Qty.	Part Number	Description
1	1	HVC010	Lower gate latch, combination chute
2	4	FN38	Nut, Flange 3/8-16
3	4	CB38*234G5	Bolt, Carriage 3/8-16 x 2-3/4" Gr 5

# HVC12 Parts Breakdown

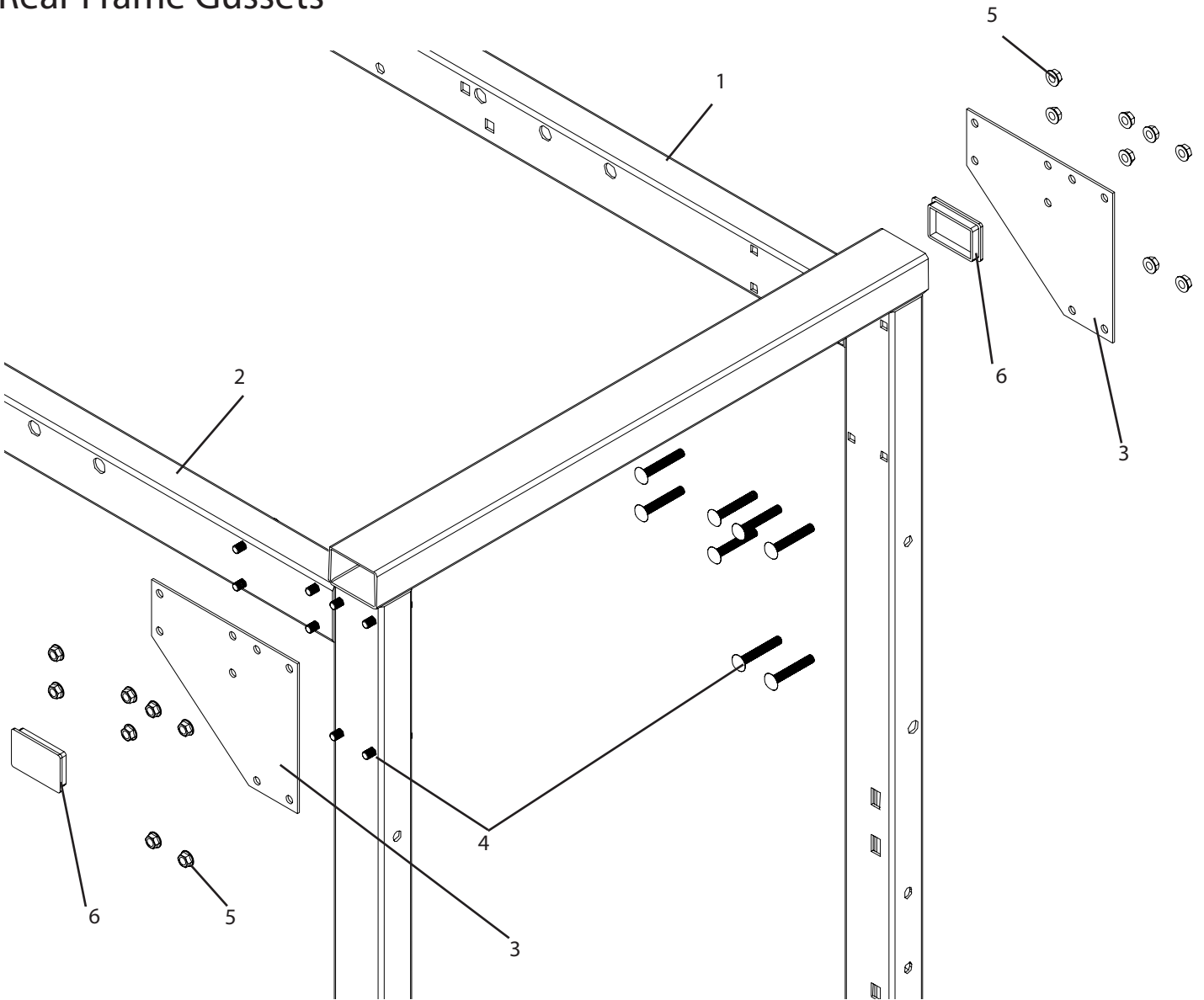
## Rear Frame



Ref#	Qty.	Part Number	Description
1	1	HVC003	Rear frame, combination chute
2	2	FN12	Nut, Flange 1/2-13
3	4	CB38*234G5	Bolt, Carriage 3/8-16 x 2-3/4" Gr 5

# HVC12 Parts Breakdown

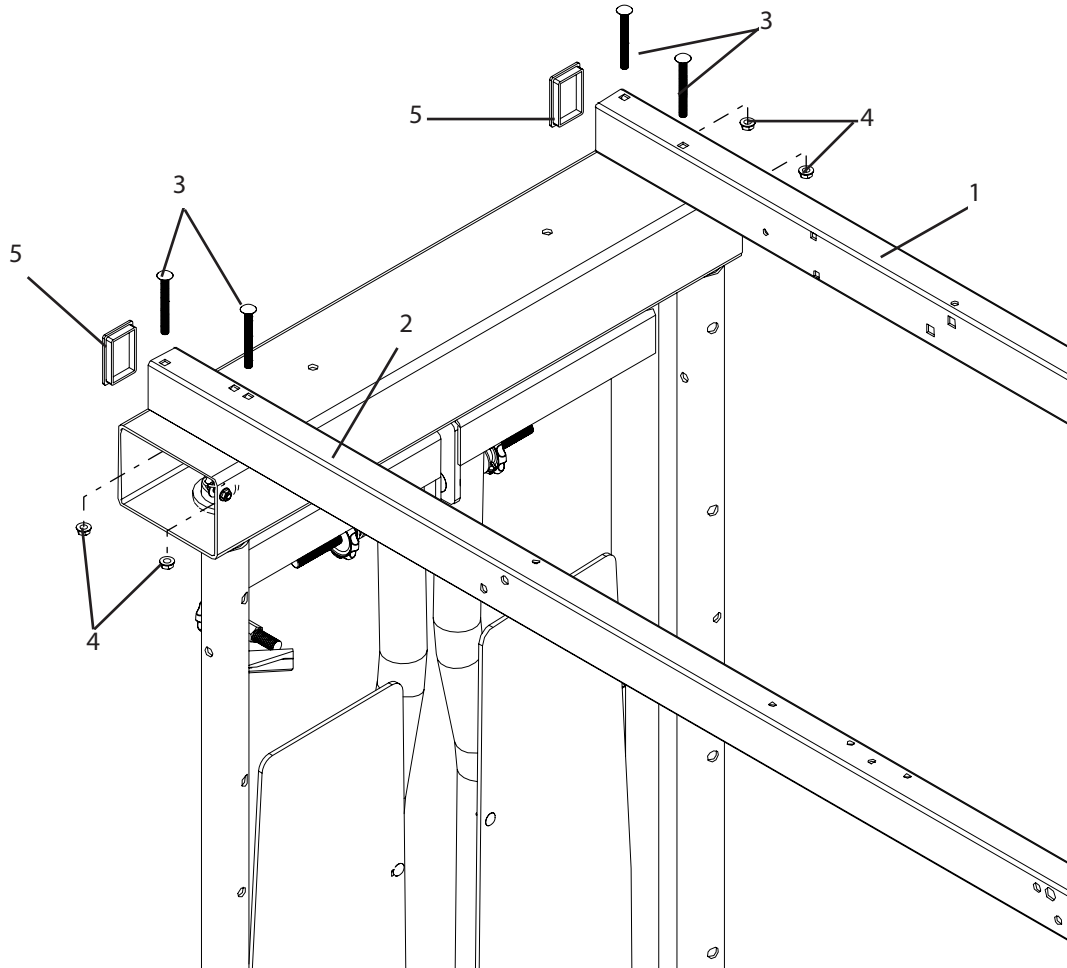
## Rear Frame Gussets



Ref#	Qty.	Part Number	Description
1	1	HVC001	Top tube, right, combination chute
2	1	HVC002	Top tube, left, combination chute
3	2	HVC007	Frame gusset, combination chute
4	16	CB38*212G5	Bolt, Carriage 3/8-16 x 2-1/2" Gr 5
5	16	FN38	Nut, Flange 3/8-16
6	2	RER-2X3 10-14	Plug, Plastic 2" x 3" x 10-14 Ga Black

# HVC12 Parts Breakdown

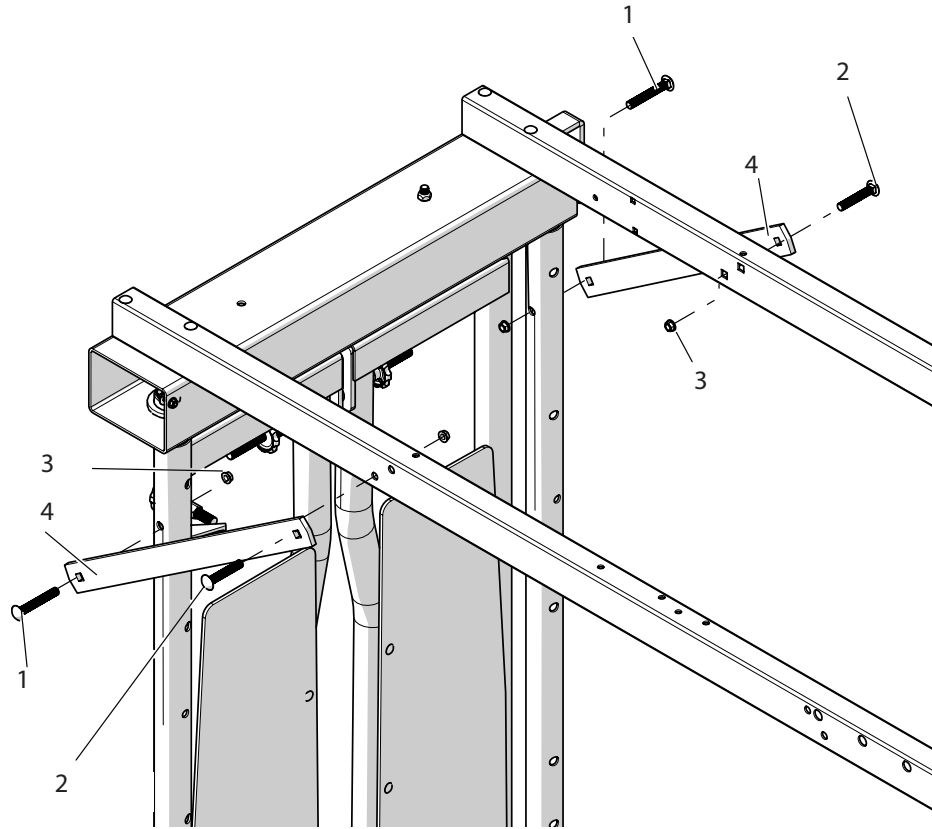
## Front to Back Rails



Ref#	Qty.	Part Number	Description
1	1	HVC001	Top tube, right, combination chute
2	1	HVC002	Top tube, left, combination chute
3	4	CB38*312G5	Bolt, Carriage 3/8-16 x 3-1/2" Gr 5
4	4	FN38	Nut, Flange 3/8-16
5	2	RER-2X3 10-14	Plug, Plastic 2" x 3" x 10-14 Ga Black

# HVC12 Parts Breakdown

## Front to Back Rails Braces

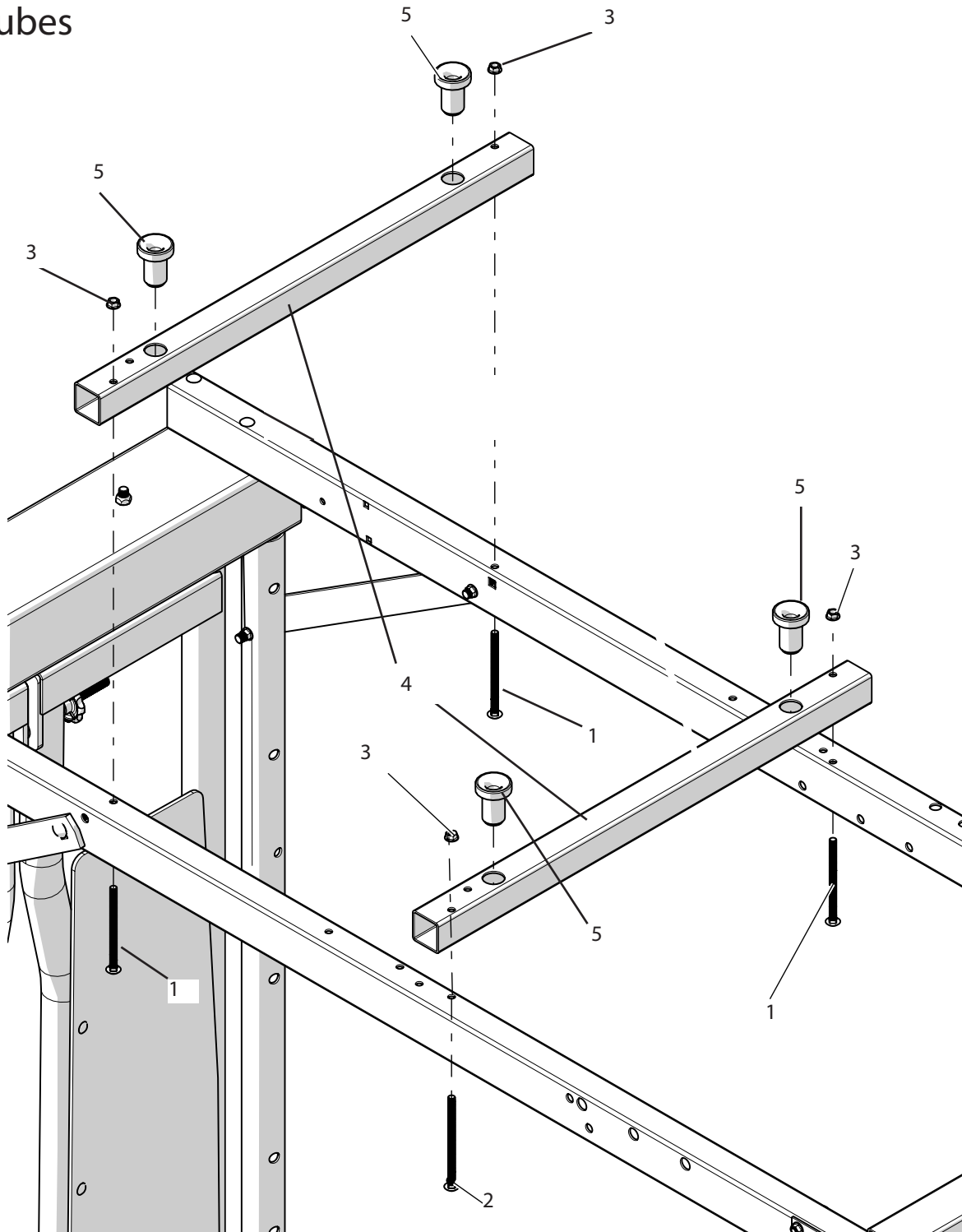


Ref#	Qty.	Part Number	Description
1	2	CB12*312G5	Bolt, Carriage 1/2-13 x 3-1/2" Gr 5
2	2	CB12*3G5	Bolt, Carriage 1/2-13 x 3" Gr 5
3	4	FN12	Nut, Flange 1/2-13
4	2	HVC028	Frame brace, combination chute



# HVC12 Parts Breakdown

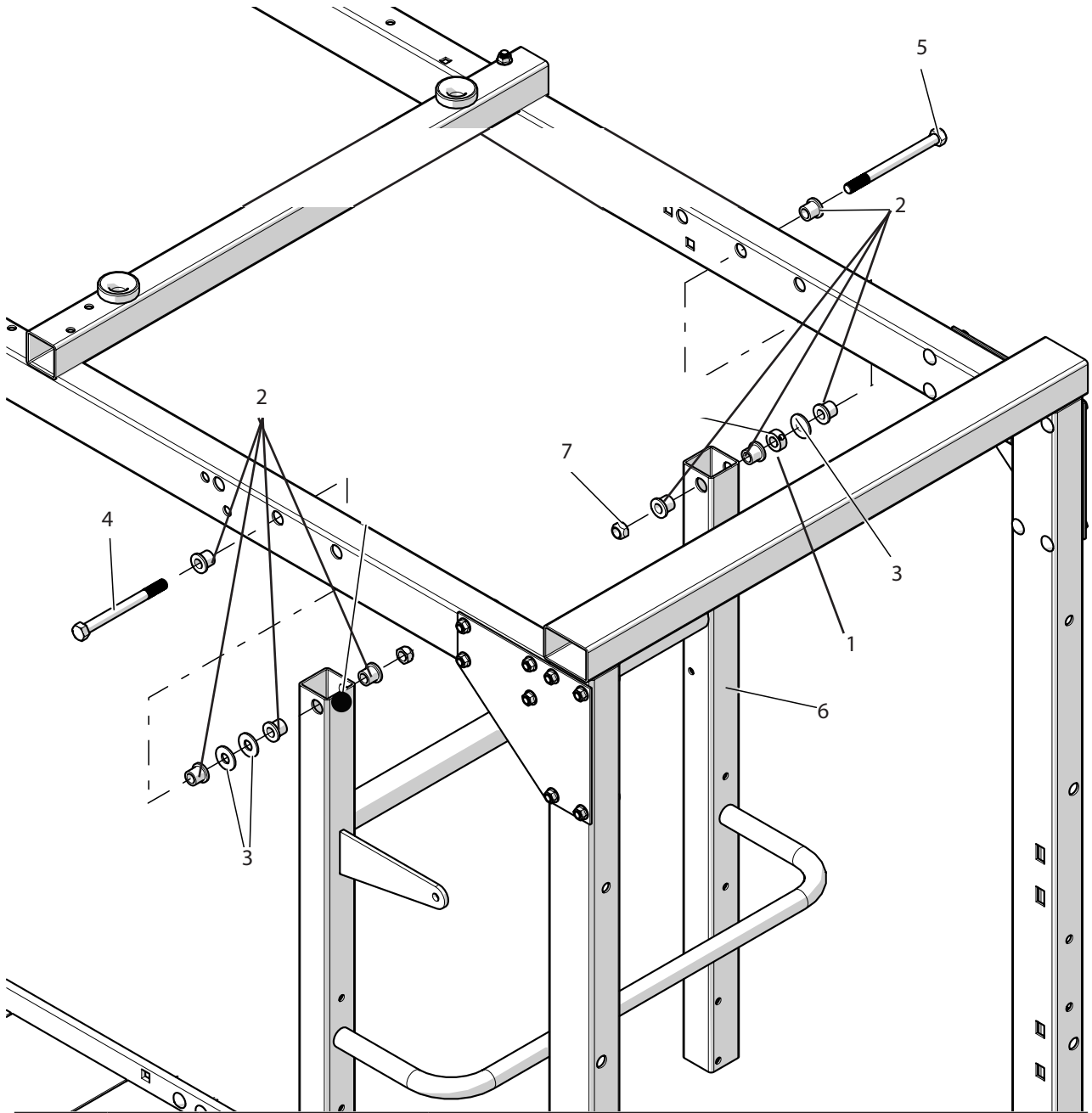
## Cross Tubes



Ref#	Qty.	Part Number	Description
1	3	CB38*512G5	Bolt, Carriage 3/8-16 x 5-1/2" Gr 5
2	1	CB38*6G5	Bolt, Carriage 3/8-16 x 6" Gr 5
3	4	FN38	Nut, Flange 3/8-16
4	2	HVC012B	Top lift bar, vet chute
5	4	HVC013	Rope bushing, combination chute

# HVC12 Parts Breakdown

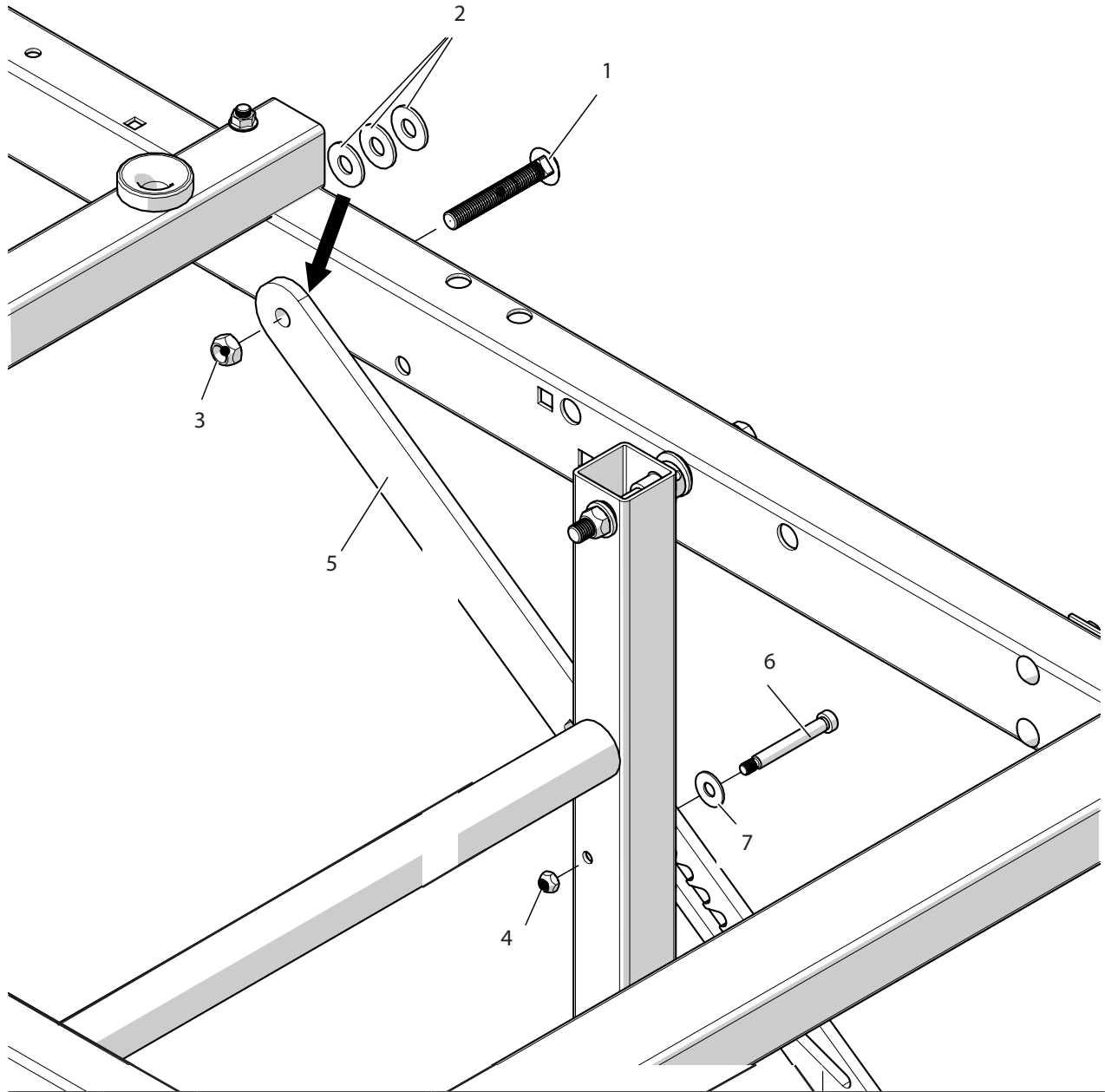
## Rear Splash Guard Frame



Ref#	Qty.	Part Number	Description
1	1	0500P	Shaft Collar, 1/2"
2	8	FB812-5	Bushing, Bronze Flange 1/2" ID x 3/4" OD x 5/8" lg
3	3	FW12	Washer, Flat 1/2" USS
4	1	H5C12*512	Bolt, Hex 1/2-13 x 5-1/2" Gr 5
5	1	H5C12*6	Bolt, Hex 1/2-13 x 6" Gr 5
6	1	HVC021	Rear gate frame, vet chute
7	2	SNC12	Nut, Lock Steel 1/2-13

# HVC12 Parts Breakdown

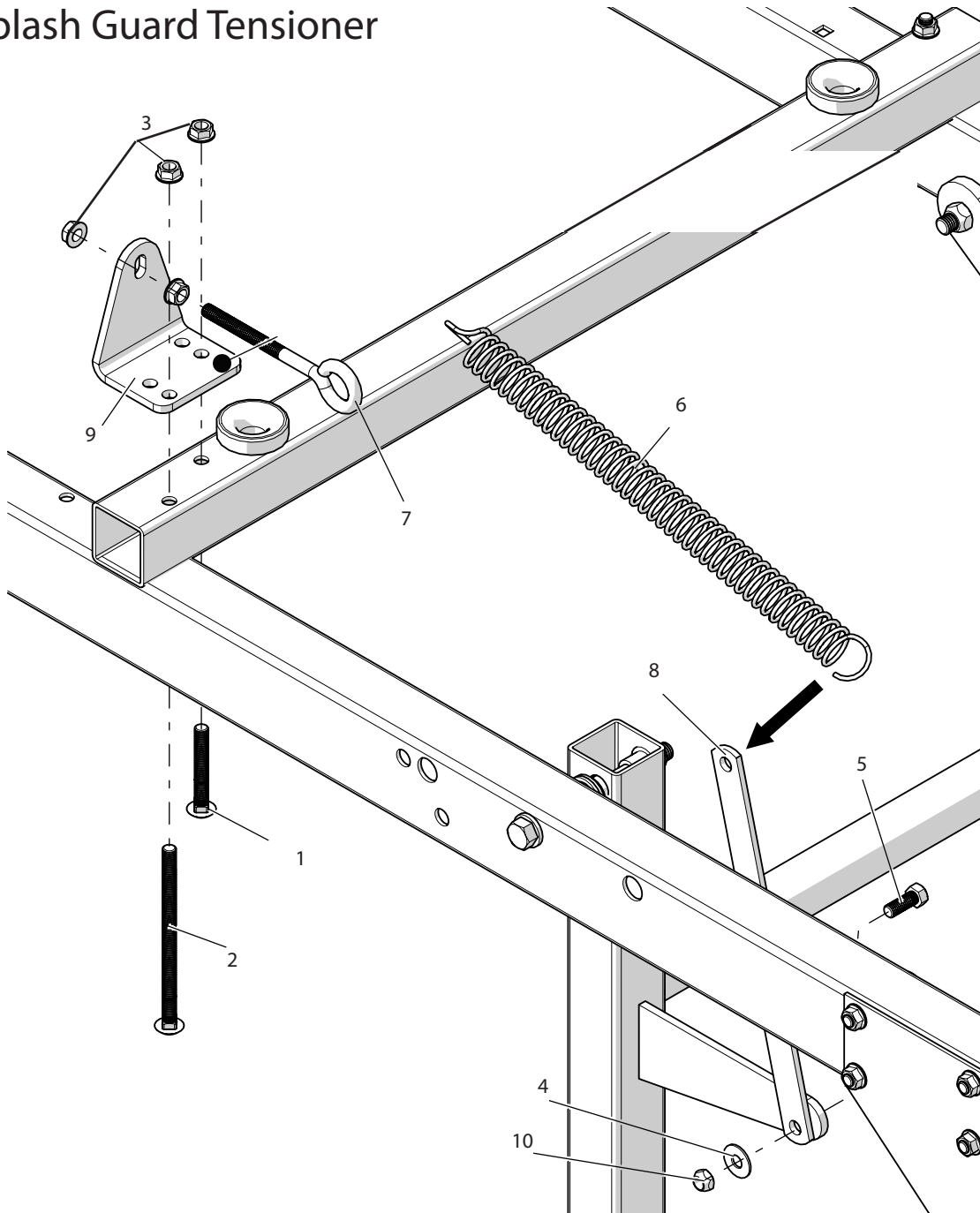
## Rear Splash Guard Adjuster



Ref#	Qty.	Part Number	Description
1	1	CB12*312G5	Bolt, Carriage 1/2-13 x 3-1/2" Gr 5
2	3	FW12	Washer, Flat 1/2" USS
3	1	SNC12	Nut, Lock Steel 1/2-13
4	1	SNC516	Nut, Lock Steel 5/16-18
5	1	HVC011	Rear gate adjuster, vet chute
6	1	SSB38*212	Bolt, Shoulder 3/8" x 2-1/2" Zinc
7	1	FW38	Washer, Flat 3/8"

# HVC12 Parts Breakdown

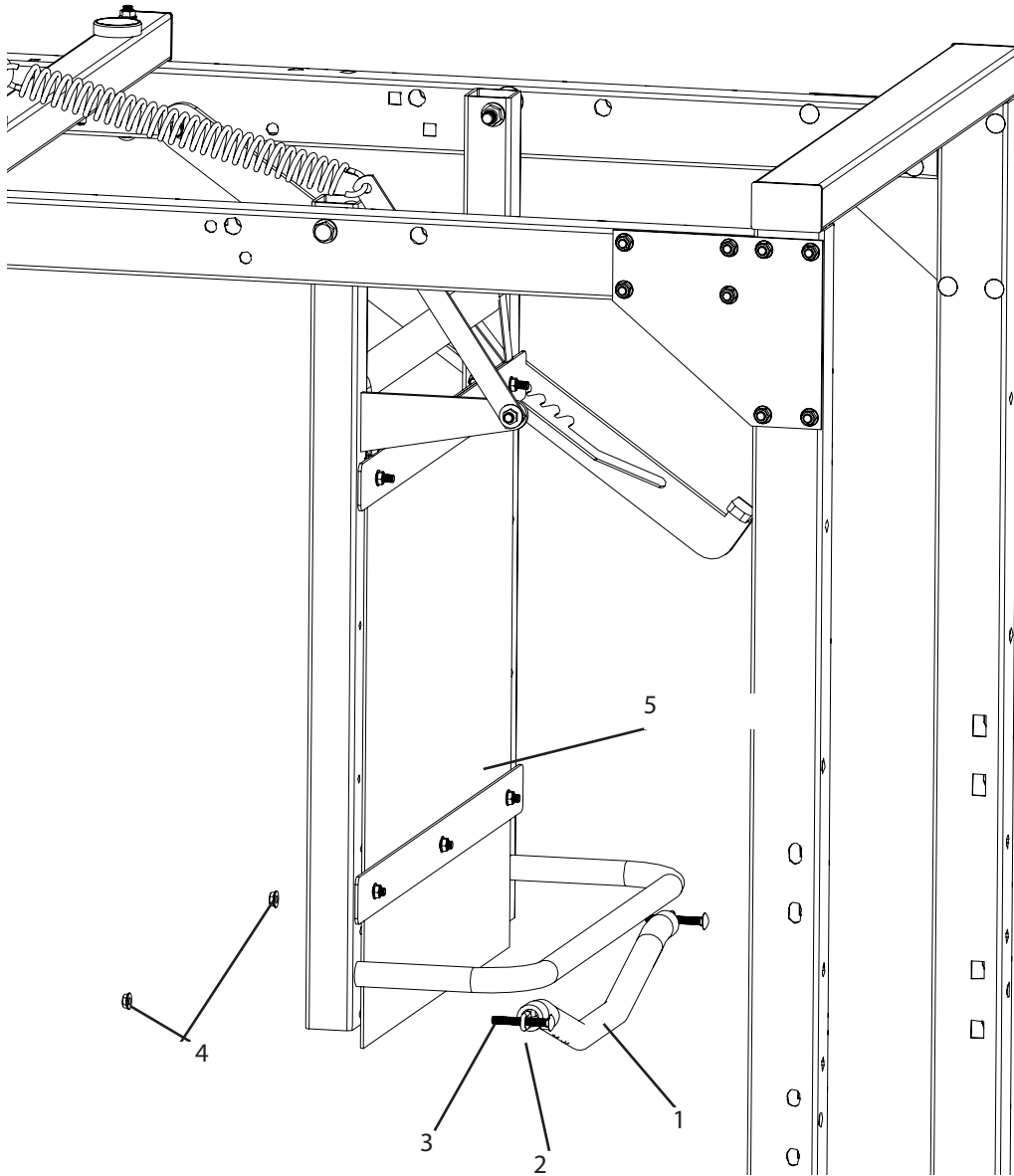
## Rear Splash Guard Tensioner



Ref#	Qty.	Part Number	Description
1	1	CB38*234G5	Bolt, Carriage 3/8-16 x 2-3/4" Gr 5
2	1	CB38*6G5	Bolt, Carriage 3/8-16 x 6" Gr 5
3	3	FN38	Nut, Flange 3/8-16
4	1	FW38	Washer, Flat 3/8"
5	1	H5C38*1	Bolt, Hex 3/8-16 x 1" Gr 5
6	1	B116	Spring, Extension Blk 1.5" OD x 9.5" x .225"
7	1	N221283	Bolt, Eye Closed 3/8-16 x 6" Zinc
8	1	HVC033	Rear stop spring flat, vet chute
9	1	HVC034	Rear stop spring mount, vet chute
10	1	SNC38	Nut, Lock Steel 3/8-16

# HVC12 Parts Breakdown

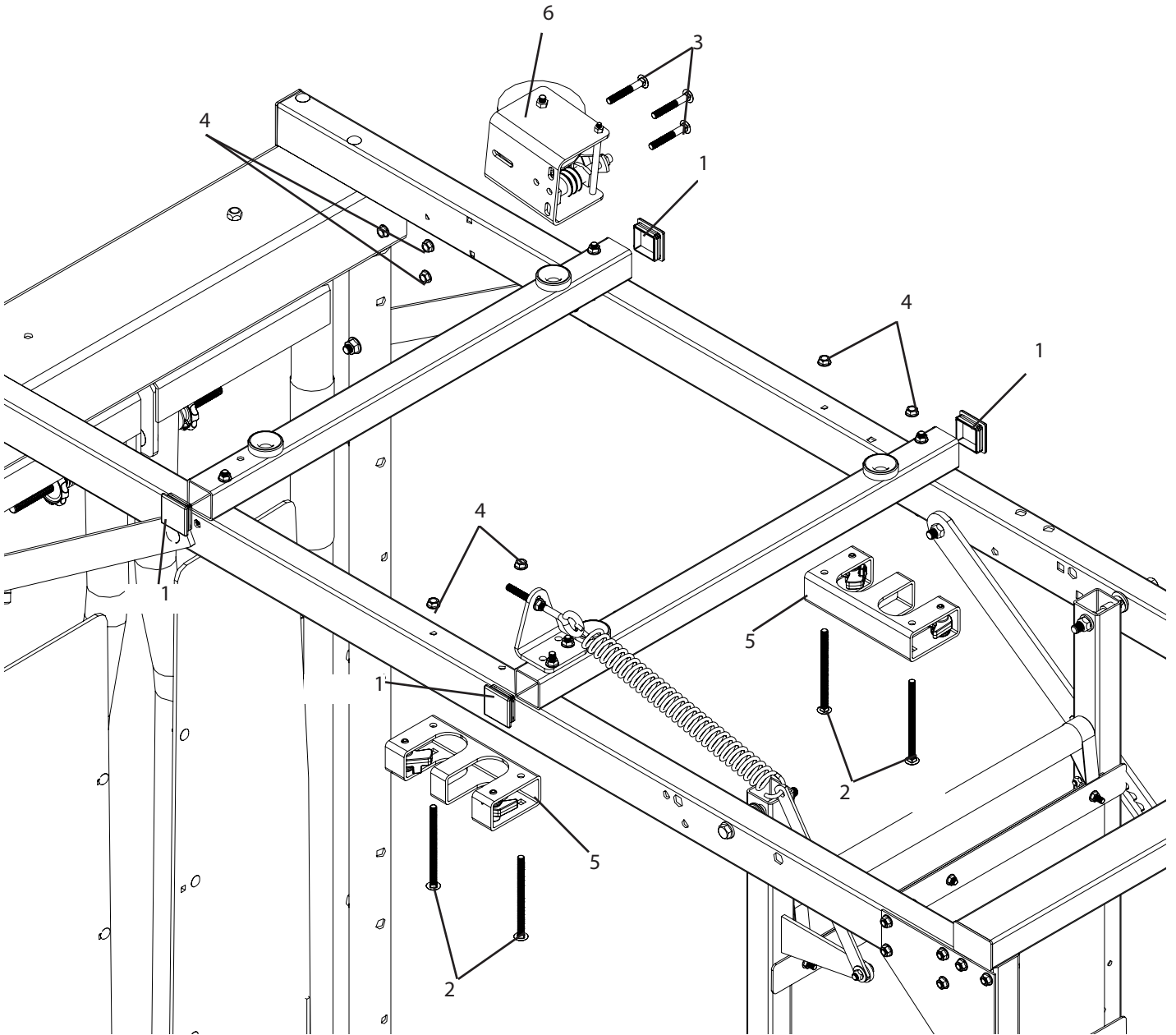
## Rear Splash Guard



Ref#	Qty.	Part Number	Description
1	2 FT	1012	Hose, EPDM Rubber 3/4" 300 PSI
2	2.36 FT	140323	Chain, Coil 3/16" S-3 Proof
3	2	CB516*212G5	Bolt, Carriage 5/16-18 x 2-1/2" Gr 5
4	2	FN516	Nut, Flange 5/16-18
5	1	HVC041	Vet Chute, rear gate splash guard

# HVC12 Parts Breakdown

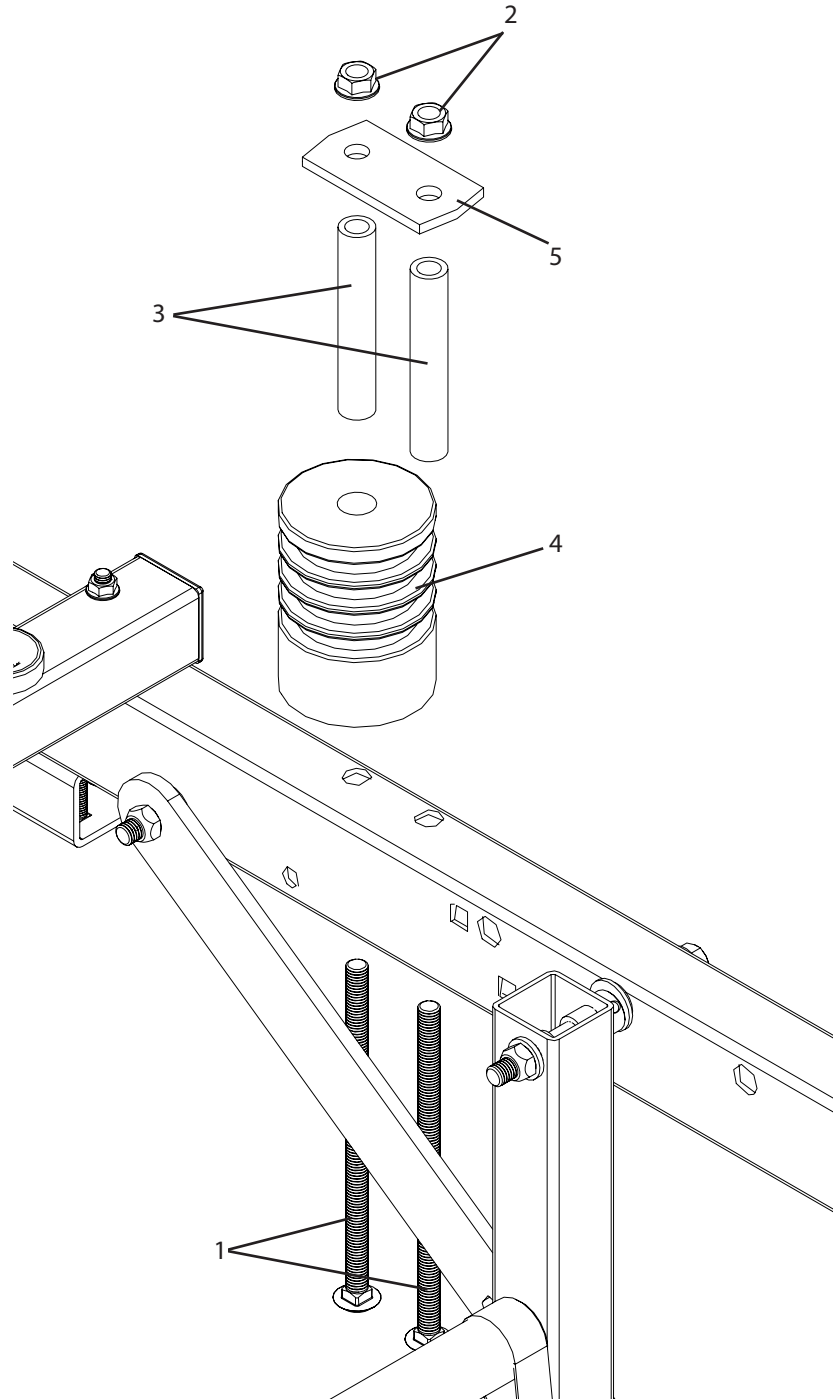
## Winch and Side Gate Latches



Ref#	Qty.	Part Number	Description
1	4	CC5515	Plug, Poly Square 2" x 10-14 Ga Black
2	4	CB38*512G5	Bolt, Carriage 3/8-16 x 5-1/2" Gr 5
3	3	CB38*234G5	Bolt, Carriage 3/8-16 x 2-3/4" Gr 5
4	7	FN38	Nut, Flange 3/8-16
5	2	GL201	Gate latch, double, for chutes
6	1	HVC030	Winch, vet chute

# HVC12 Parts Breakdown

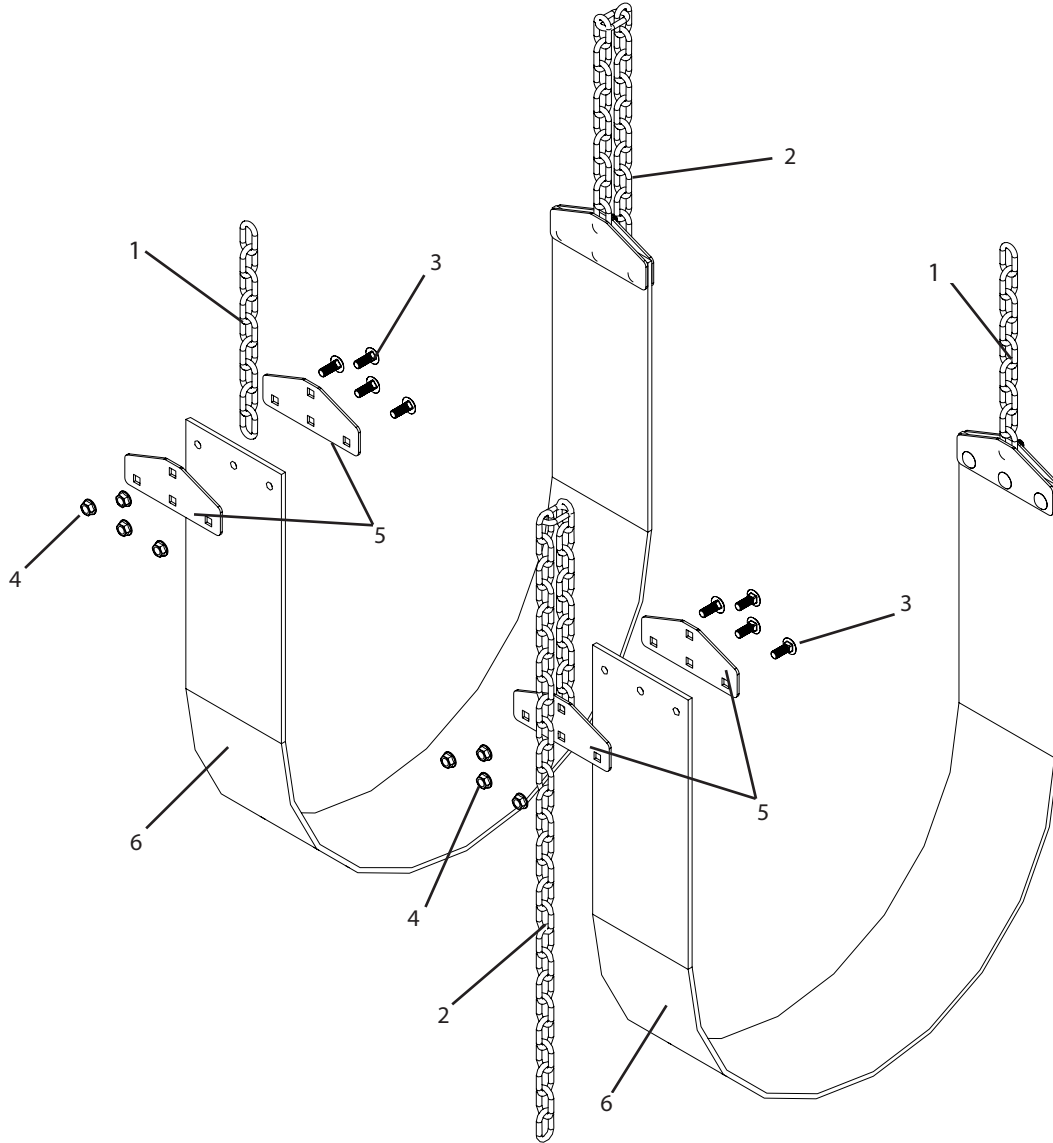
## Rope Pully



Ref#	Qty.	Part Number	Description
1	2	CB12*9G5	Bolt, Carriage 1/2-13 x 9" Gr 5
2	2	FN12	Nut, Flange 1/2-13
3	2	HVC014	Pulley tube, combination chute
4	1	HVC015	Rope pulley, combination chute
5	1	HVC016	Vet chute - rope spool clamp

# HVC12 Parts Breakdown

## Belly Band Straps

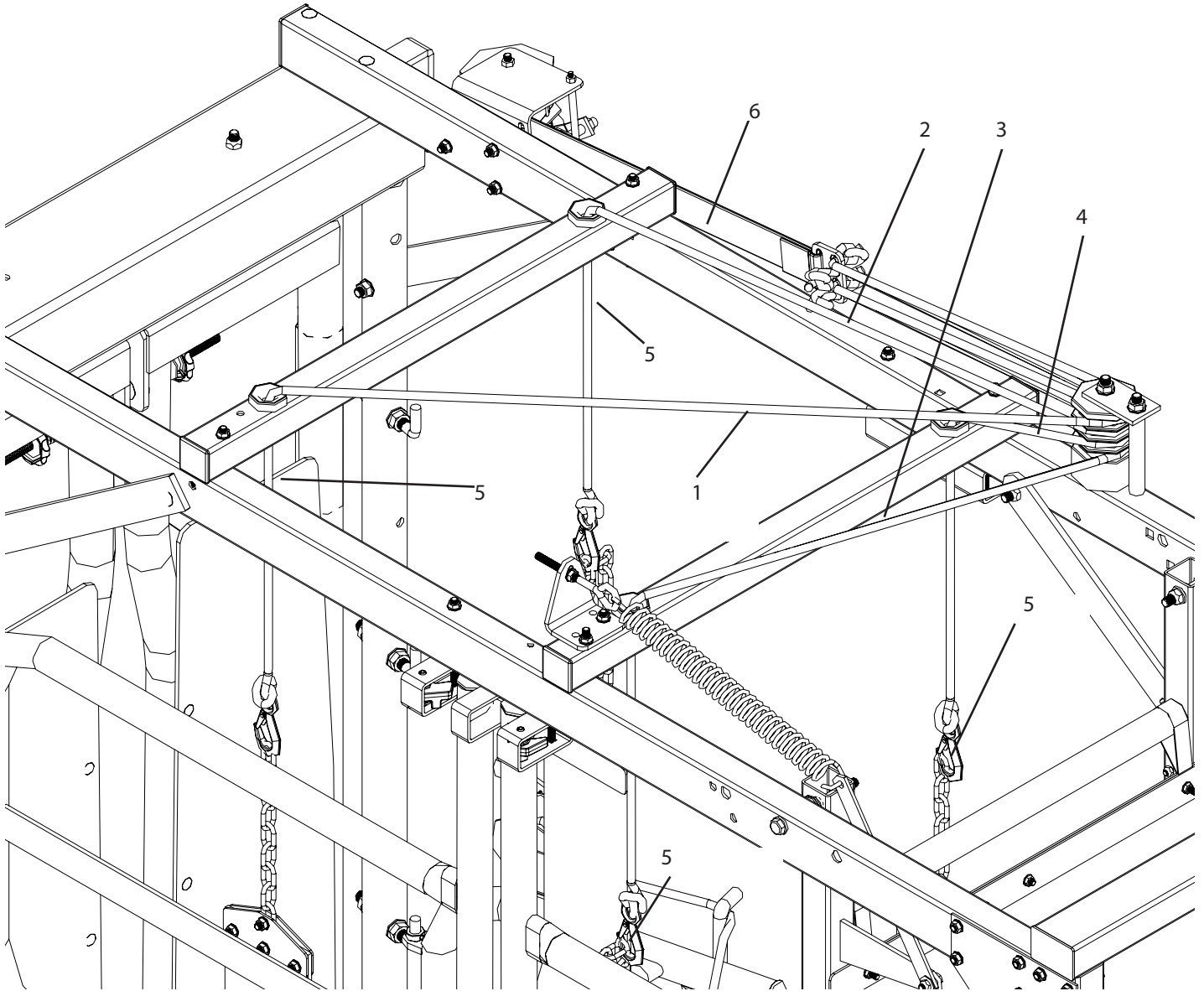


Ref#	Qty.	Part Number	Description
1	2	0140423 (1 ft length)	Chain, Coil 1/4" S-3 Proof
2	2	0140423 (4 ft length)	Chain, Coil 1/4" S-3 Proof
3	16	CB38*1G5	Bolt, Carriage 3/8-16 x 1" Gr 5
4	16	FN38	flange nut, 3/8-16
5	8	HVC035	Belly band plate, vet chute
6	2	HVC038	Band, Rubber Belly Strap Vet Chute



# HVC12 Parts Breakdown

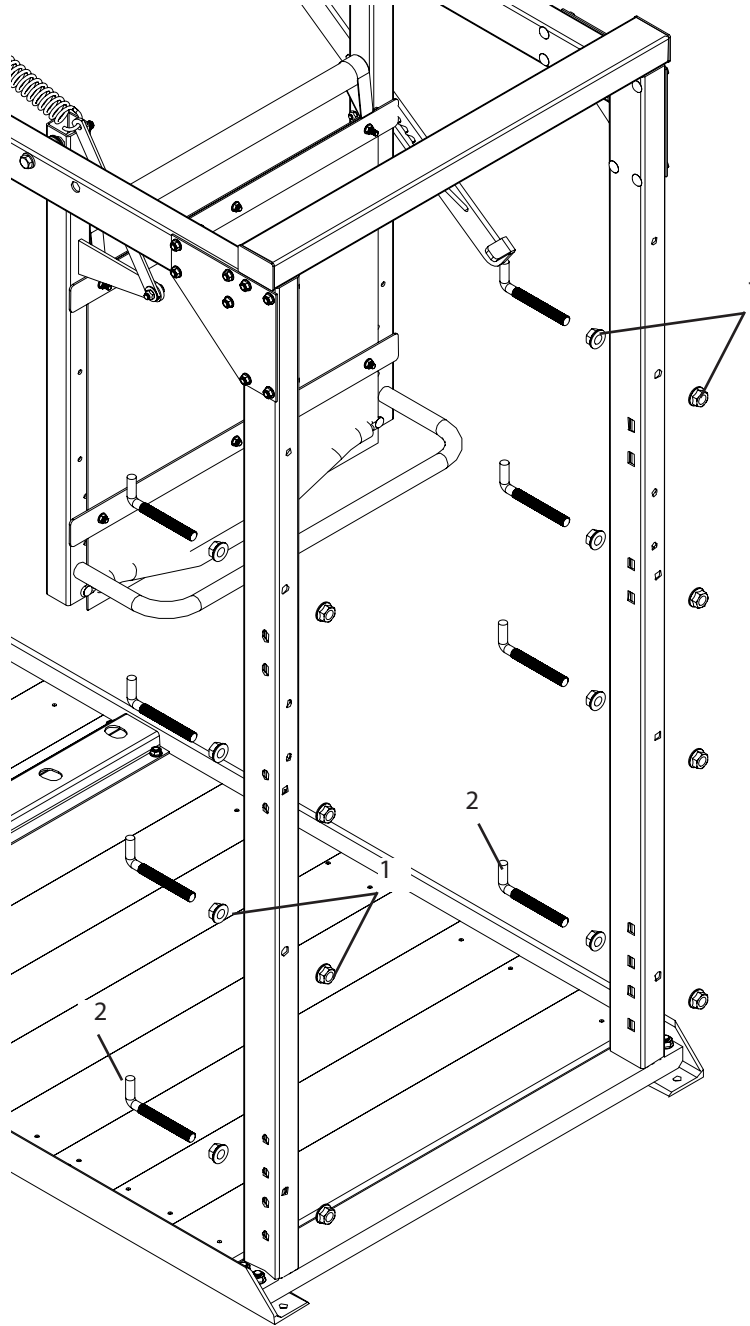
## Ropes



Ref#	Qty.	Part Number	Description
1	1	RSKR716	7/16" rope, 7'-3" long
2	1	RSKR716	7/16" rope, 6'-5" long
3	1	RSKR716	7/16" rope, 5'-11" long
4	1	RSKR716	7/16" rope, 4'-5" long
5	4	2311S34	Hook, Safety Chain SS
6	1	HVC039	Nylon lift strap

# HVC12 Parts Breakdown

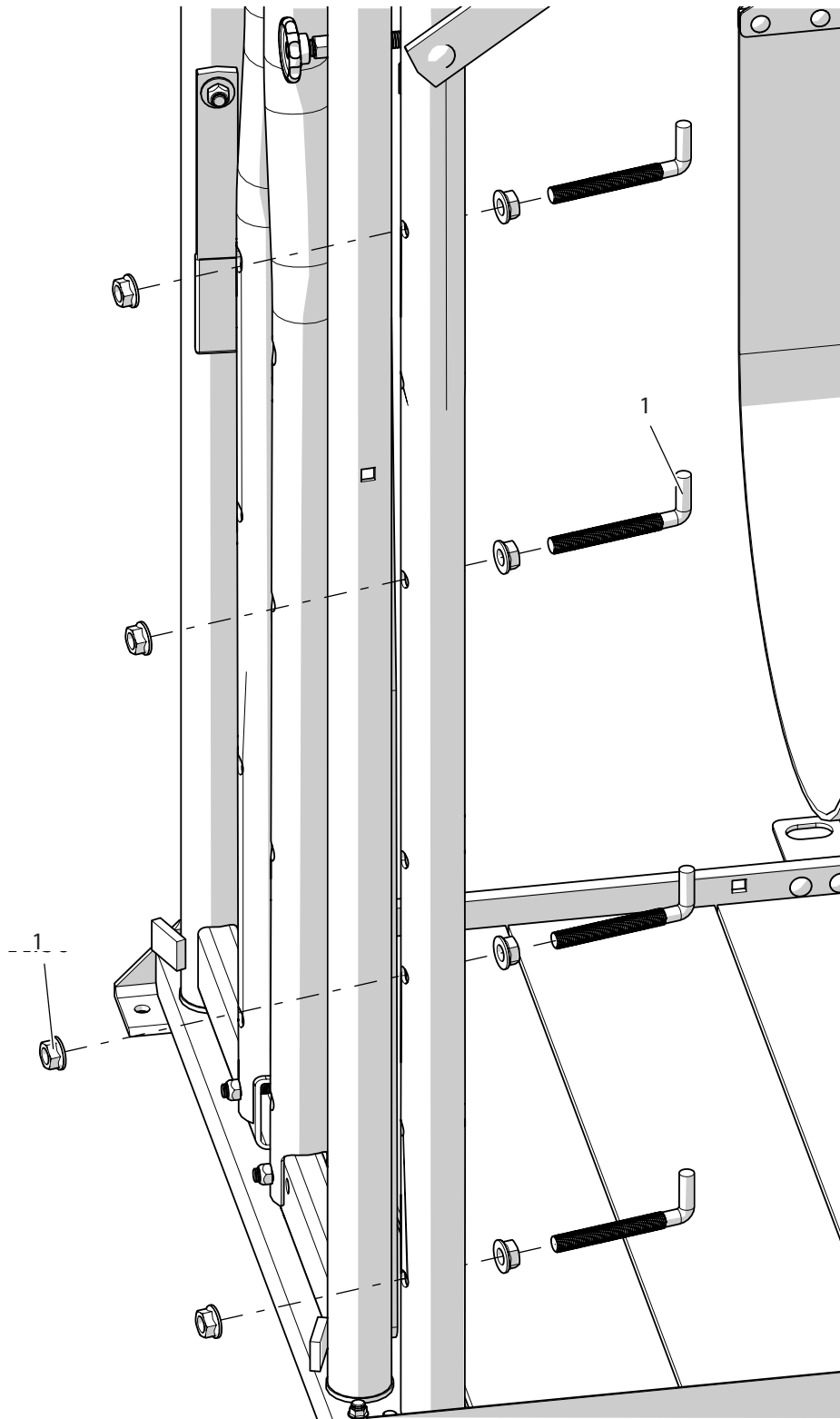
## Side Gate Hinges



Ref#	Qty.	Part Number	Description
1	16	FN58	Nut, Flange 5/8-11
2	8	HVC037	Pivot pin, combination chute

# HVC12 Parts Breakdown

## Side Gate Hinges

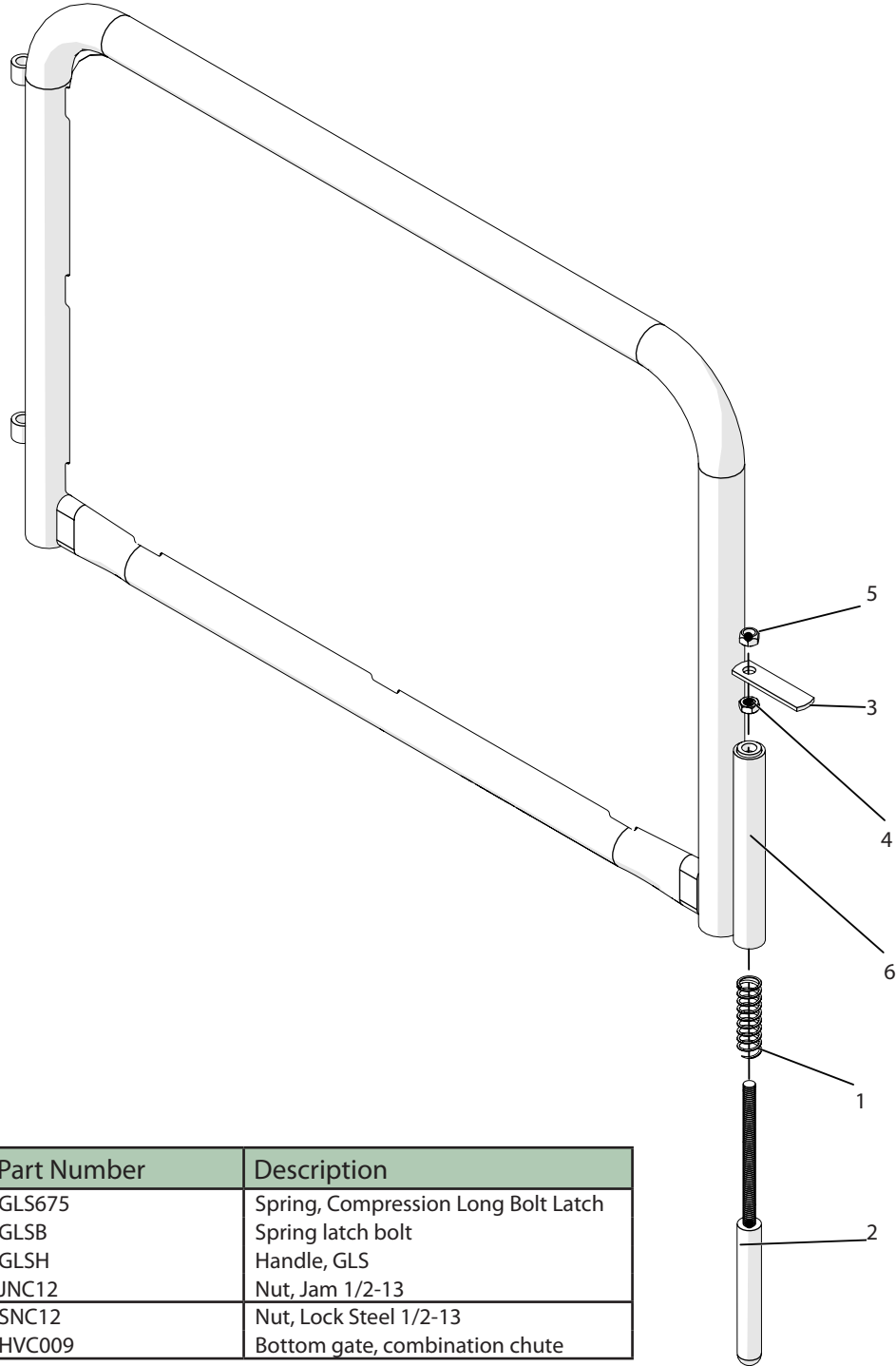


Ref#	Qty.	Part Number	Description
1	16	FN58	Nut, Flange 5/8-11
2	8	HVC037	Pivot pin, combination chute

# HVC12 Parts Breakdown

## Side Gate (Bottom)

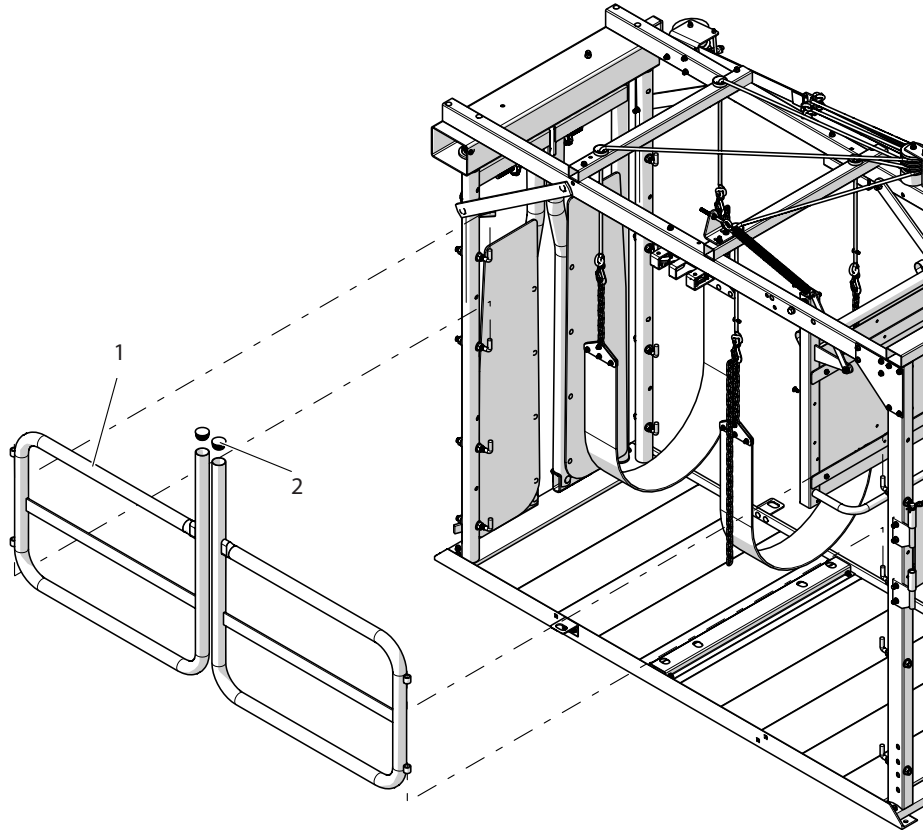
-Install the gate latch pin (GLSB) onto the lower side gates.



Ref#	Qty.	Part Number	Description
1	1	GLS675	Spring, Compression Long Bolt Latch
2	1	GLSB	Spring latch bolt
3	1	GLSH	Handle, GLS
4	1	JNC12	Nut, Jam 1/2-13
5	1	SNC12	Nut, Lock Steel 1/2-13
6	1	HVC009	Bottom gate, combination chute

# HVC12 Parts Breakdown

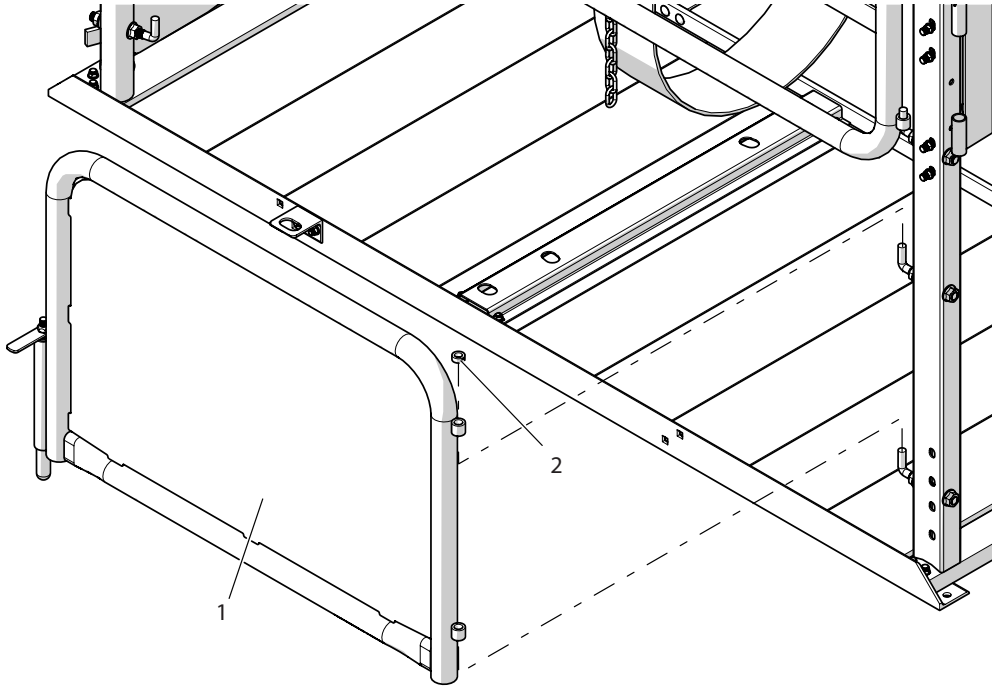
## Side Gate (Top)



Ref#	Qty.	Part Number	Description
1	2	HVC008	Top gate, combination chute
2	2	GTP	Gate tube plug

# HVC12 Parts Breakdown

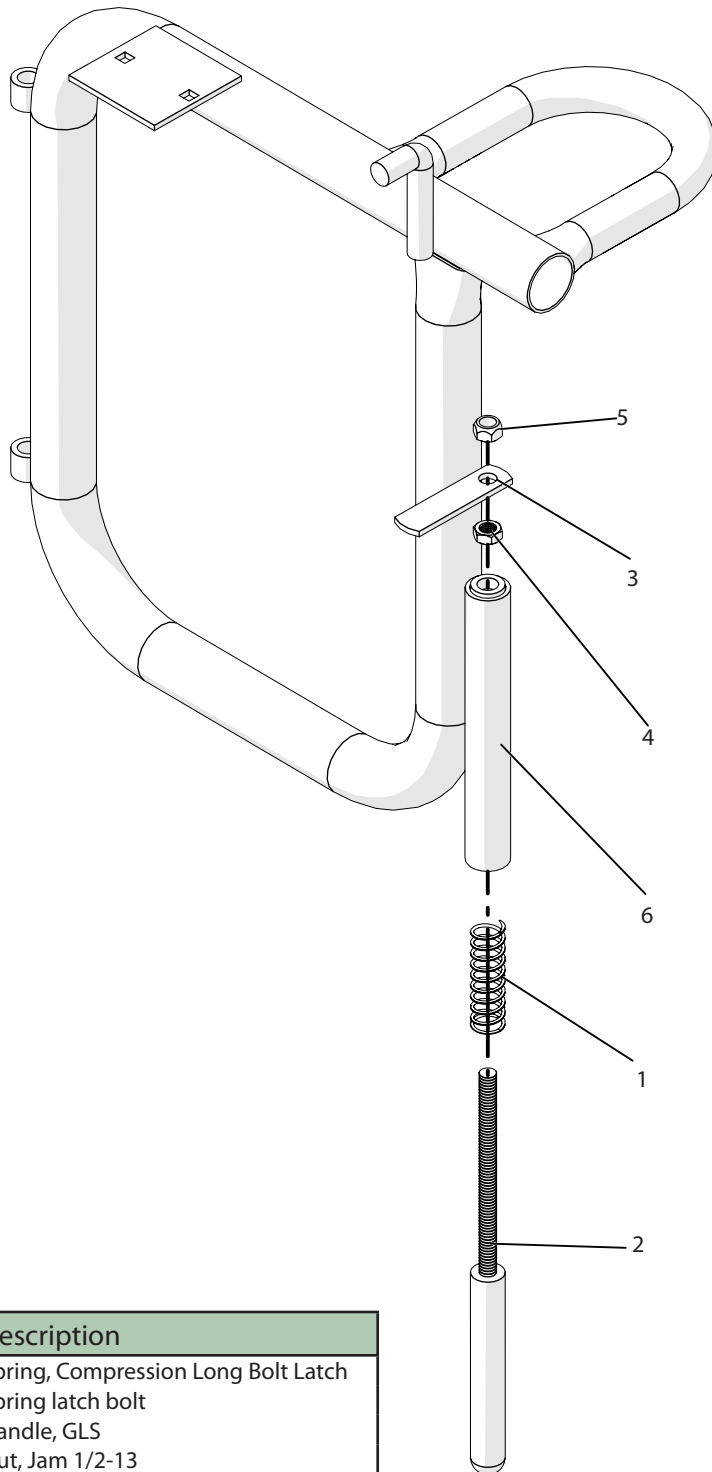
## Side Gate (Bottom)



Ref#	Qty.	Part Number	Description
1	1	HVC009	Bottom gate, combination chute
2	1	0625P	Shaft Collar, 5/8"

# HVC12 Parts Breakdown

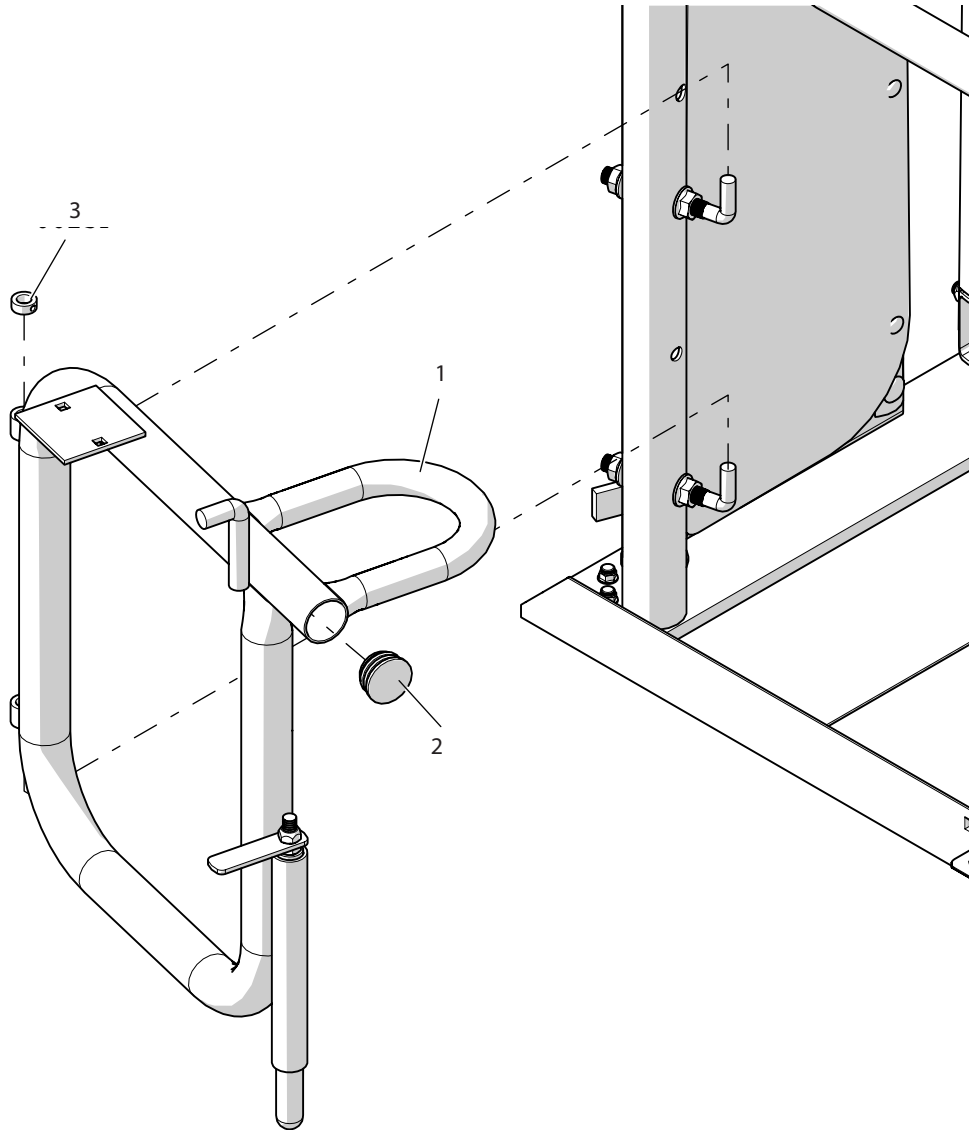
## Side Leg Lifter



Ref#	Qty.	Part Number	Description
1	1	GLS675	Spring, Compression Long Bolt Latch
2	1	GLSB	Spring latch bolt
3	1	GLSH	Handle, GLS
4	1	JNC12	Nut, Jam 1/2-13
5	1	SNC12	Nut, Lock Steel 1/2-13
6	1	HVC018	Left leg lifter, vet chute

# HVC12 Parts Breakdown

## Side Leg Lifter

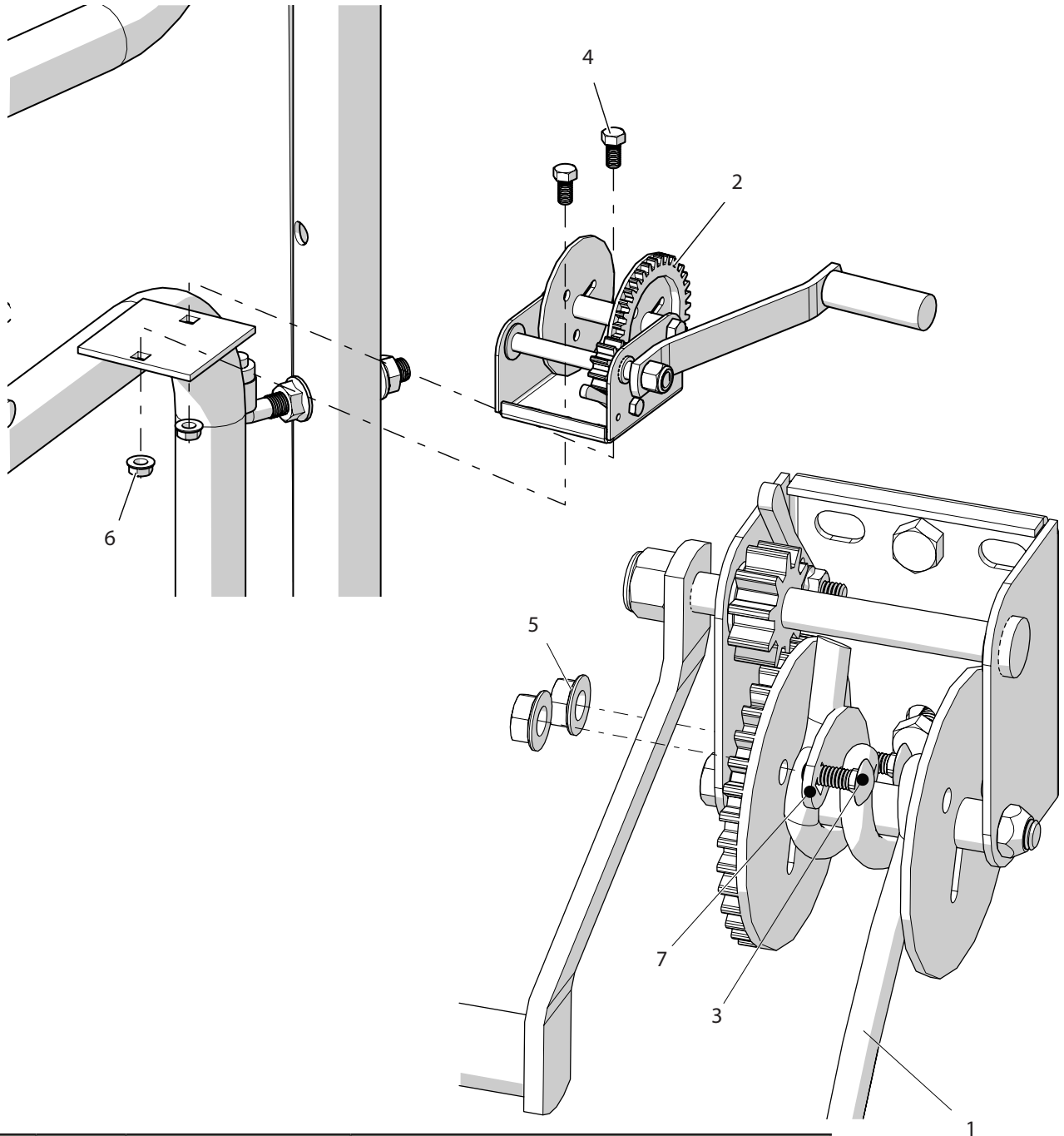


Ref#	Qty.	Part Number	Description
1	1	HVC018	Left leg lifter, vet chute
2	1	GTP	Gate tube plug
3	1	0625P	Shaft Collar, 5/8"



# HVC12 Parts Breakdown

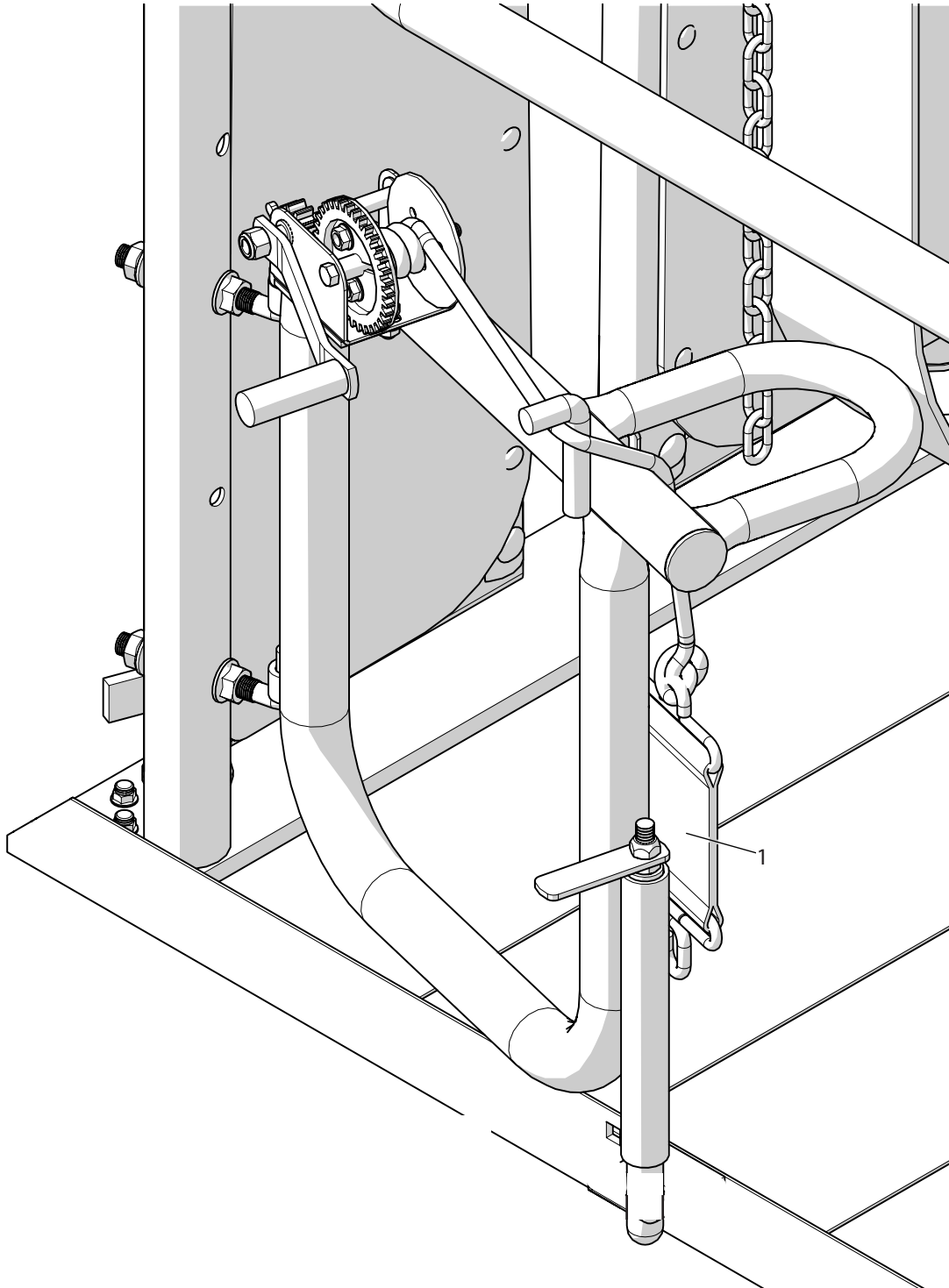
## Side Leg Lifter Winch



Ref#	Qty.	Part Number	Description
1	6 FT	RSKR716	Rope, Static Kernmantle 7/16" Red/White
2	1	DL900	Winch, Manual 900 Lb Capacity
3	2	CB14*34	Bolt, Carriage 1/4-20 x 3/4" Gr 2
4	2	H5C38*34	Bolt, Hex 3/8-16 x 3/4" Gr 5
5	2	FN14	Nut, Flange 1/4-20
6	2	FN38	Nut, Flange 3/8-16
7	1	HVC029	Leg lifter rope clamp, vet chute

# HVC12 Parts Breakdown

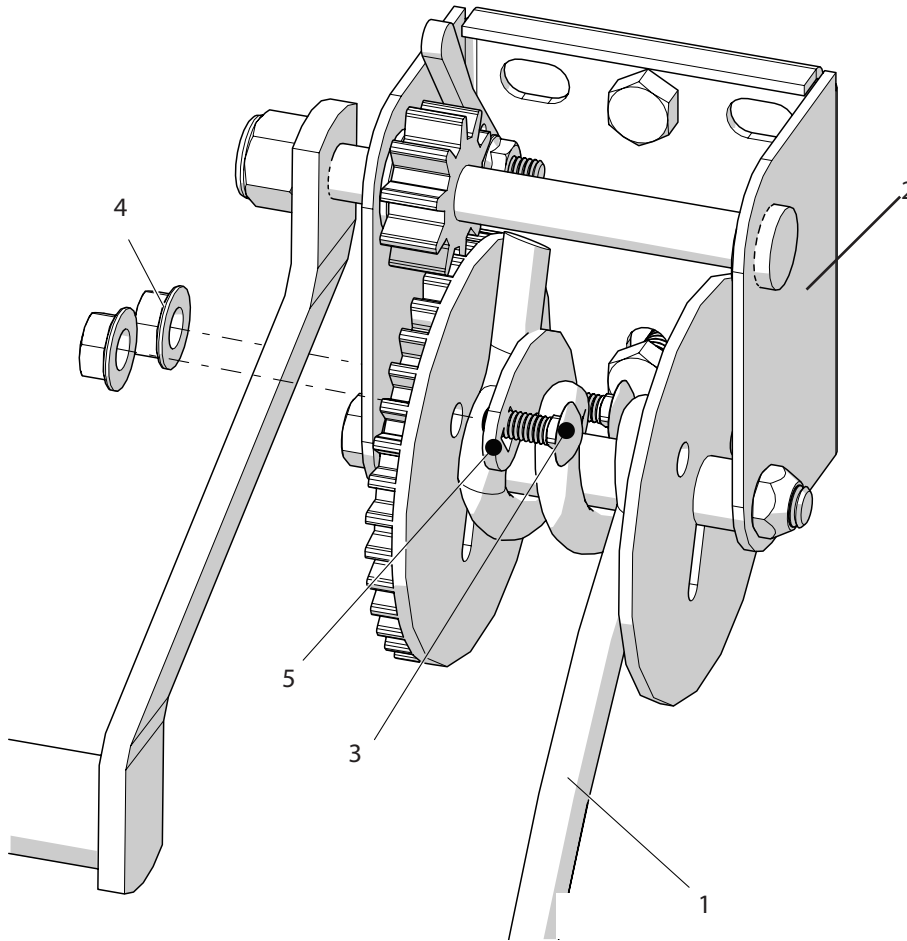
## Side Leg Lifter



Ref#	Qty.	Part Number	Description
1	1	HCA2001-LS	Leg strap

# HVC12 Parts Breakdown

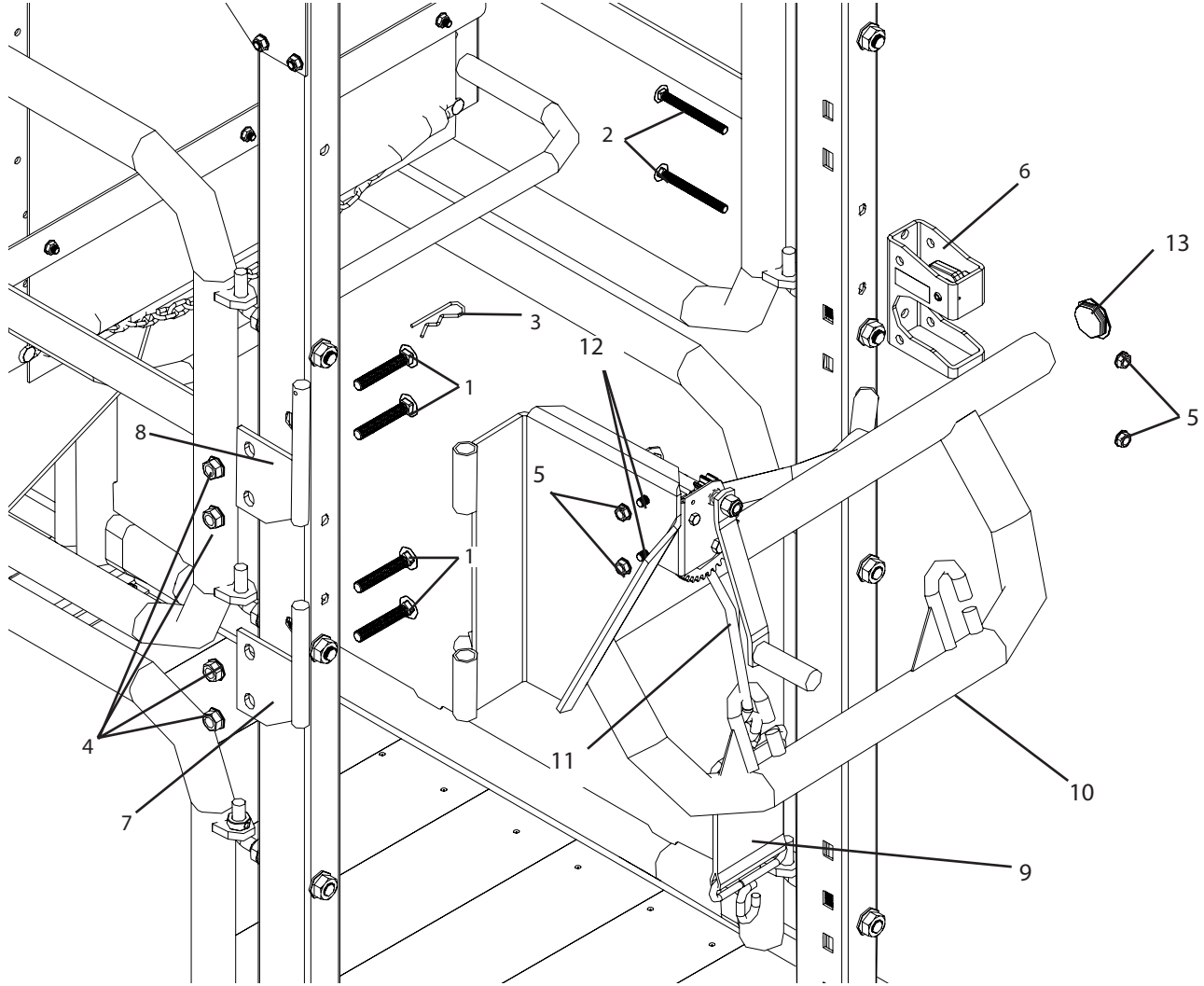
## Rear Leg Lifter Winch



Ref#	Qty.	Part Number	Description
1	8 FT	RSKR716	Rope, Static Kernmantle 7/16" Red/White
2	1	DL900	Winch, Manual 900 Lb Capacity
3	2	CB14*34	Bolt, Carriage 1/4-20 x 3/4" Gr 2
4	2	FN14	Nut, Flange 1/4-20
5	1	HVC029	Leg lifter rope clamp, vet chute

# HVC12 Parts Breakdown

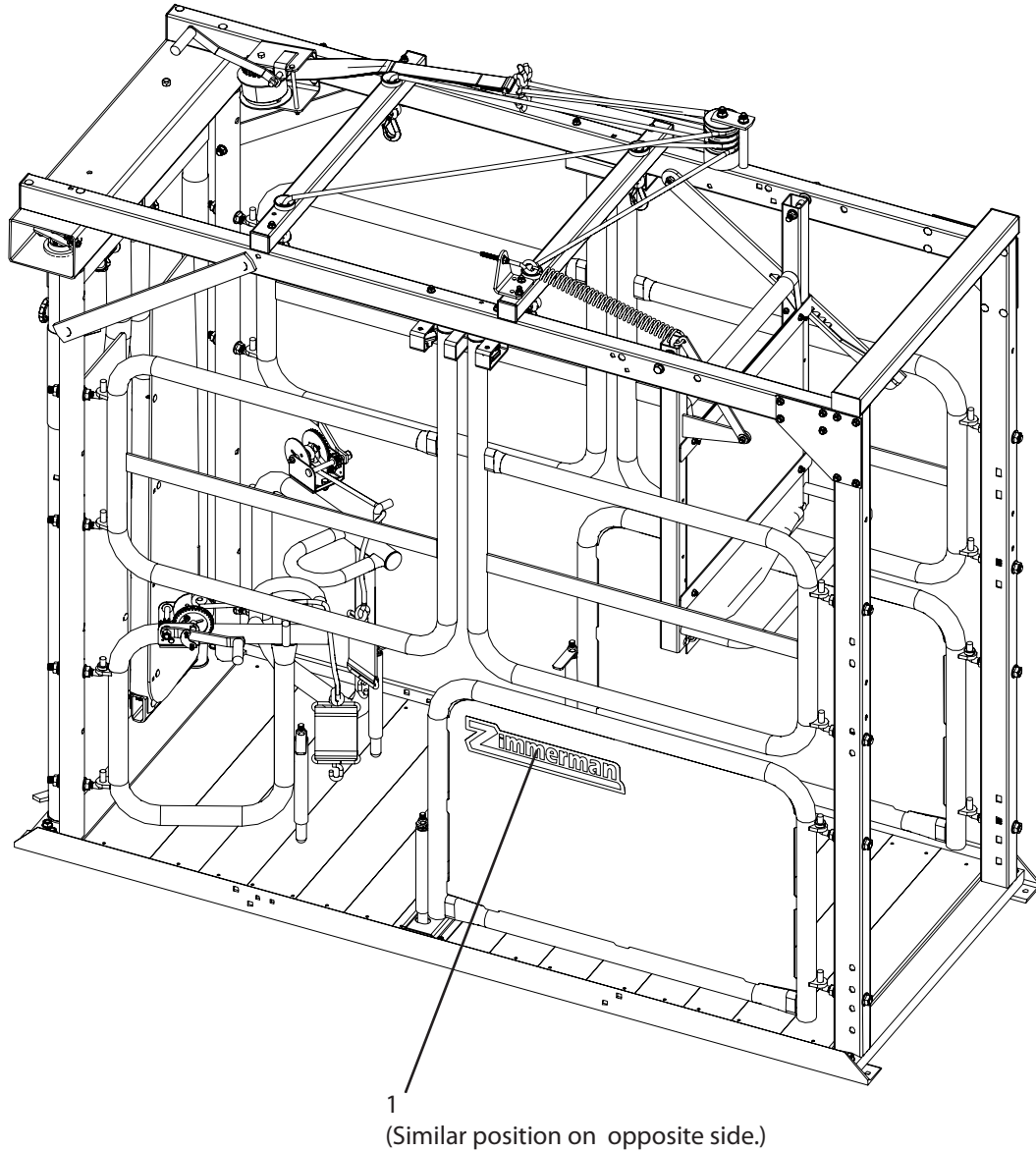
## Rear Leg Lifter



Ref#	Qty.	Part Number	Description
1	4	CB12*3G5	Bolt, Carriage 1/2-13 x 3" Gr 5
2	2	CB38*334	Bolt, Carriage 3/8-16 x 3-3/4" Gr 2
3	1	CP3	Pin, Clip 5/32" x 2-15/16"
4	4	FN12	Flange nut, 1/2-13
5	4	FN38	Flange nut, 3/8-16
6	1	GL100	Gate latch, single for chute
7	1	HSG8148B	Bolt-on hinge pin, 6" long
8	1	HSG8148T	Bolt-on hinge pin, 7" long w/ hole
9	1	HCA2001-LS	Leg strap
10	1	HCA2008RL	Rear leg lifter
11	8 FT	RSKR716	Rope, Static Kernmantle 7/16" Red/White
12	2	H5C38*34	Bolt, Hex 3/8-16 x 3/4" Gr 5
13	1	RT14	Plug, Plastic Round 1-3/4" OD x 14-20 Ga

# HVC12 Parts Breakdown

## Decals



Ref#	Qty.	Part Number	Description
1	2	PBZLOGO-17X4	Decal, Zimmerman Logo 17" x 4"